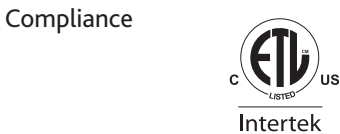
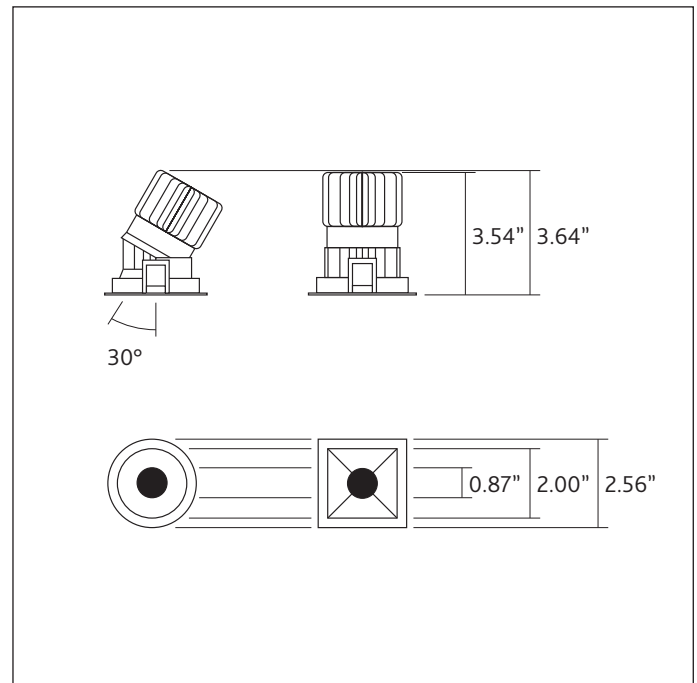


<b>Fixture Material</b>	Die-cast, powder-coated aluminum
<b>Installation</b>	Non-IC Frame   IC Housing*
<b>Cut Diameter</b>	Round Ø 2.4"   Square 2.4" x 2.4"
<b>Finish Colors</b>	White   Black   Matt Gold   Custom
<b>LED</b>	High Output COB - EQ Grade 3-Step
<b>Input Voltage</b>	120V ~ 277V
<b>Wattage</b>	12W
<b>Driver</b>	250mA
<b>Dimming</b>	TRIAC (LE)   ELV (TE)   0-10V   DALI
<b>Lumens</b>	≤800lm
<b>CRI</b>	≤90R <sub>a</sub>   ≤50R <sub>g</sub>
<b>CCT</b>	2700K   3000K   3500K   4000K
<b>WarmDIM*</b>	3000K ~ 1800K
<b>Beam Angles</b>	20°   30°   45°   55°
<b>Optical Filters</b>	Frosted   Honeycomb   Solite   Linear Spread
<b>Location</b>	Wet Location (Fixed), Damp Location (Adjust.)

Specification grade, 2" diameter, recessed downlight in fixed and adjustable options with square or round trim. The Match downlight family is available in 2", 3", 4" and 5" sizes with a range of lumen packages and optical filter accessories.

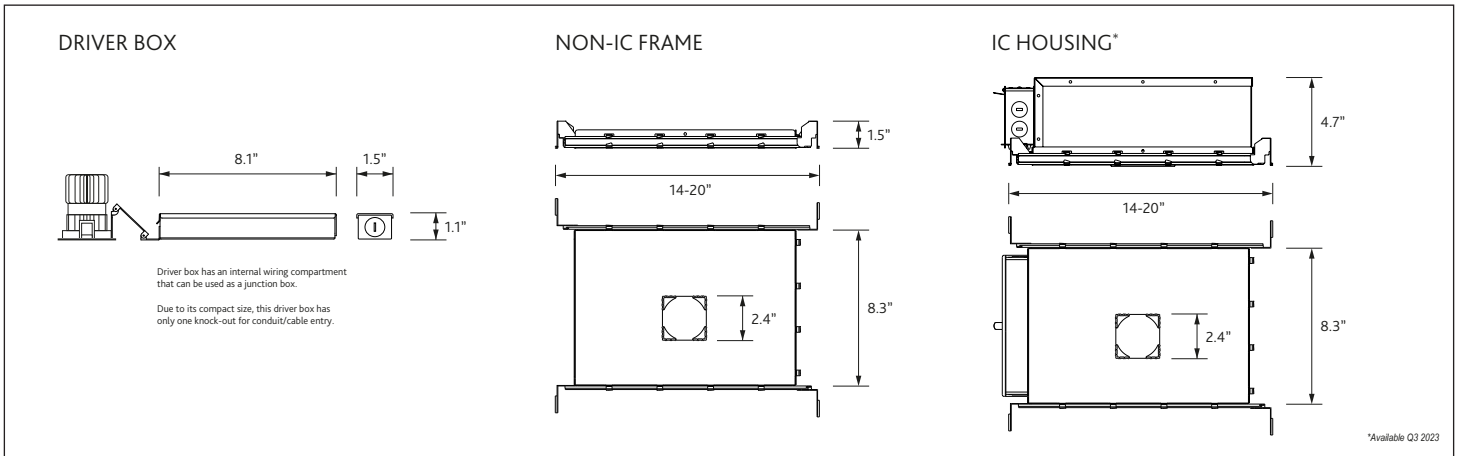


SIZE	TRIM		BAFFLE		LUMEN PACKAGE		BEAM	OPTICAL FILTER	INSTALL TYPE	DRIVER	
	TRIMMED	FINISH		FINISH							
M2 2"	RT	Round	W White	F Fixed	W White	HIGH OUTPUT EQ-GRADE		L20 20°	SF Frosted Filter	NON INSULATION CONTACT	INTEGRAL
		ST	Square	B Black	A Adjustable	B Black	90S1A27 2700K 12W <XXXlm CR190+	L30 30°	HL Honeycomb Louver	NC Non-IC Frame	ELV ELV / TRIAC Phase Cutting 3%
			G Matt Gold		G Matt Gold	90S1A30 3000K 12W <XXXlm CR190+	L45 45°	SO Solite Softening Filter	INSULATION CONTACT*		D10 0/1-10V Dim to off 0.1%
			C Custom		C Custom	90S1A35 3500K 12W <XXXlm CR190+	L55 55°	LS Linear Spread Filter	IC IC Housing	DAL DALI-2 Dim to off 0.1%	
						90S1A40 4000K 12W <XXXlm CR190+			CP IC Airtight & Chicago Plenum	REMOTE*	
					WarmDIM*					L01 Lutron Hi-Lume 2-wire 1%	
					90W1A30 3000-1800K					E01 eldoLED SOLODrive 0.1% LOG	
					ColorTUNE*					T01 Tunable White Driver	
					90T1A45 4500-2700K						

ORDER CODE EXAMPLE:  
2" / Round Trim WH / Adj. Baffle BL / 3000K 12W / 20° Honeycomb / Non-IC Frame / ELV Driver  
CODE: M2RTWAB90S1A30L20HLNCELV

\*Available Q3 2023

FINISH	TRIM	LED	BEAM ANGLE	OPTICAL FILTER	INSTALL TYPE
Matt White	Round Trim	2700K	20°	Honeycomb Louver	Non-IC Frame
Matt Black	Square Trim	3000K	30°	Frosted Filter	
Matt Gold		3500K	45°	Solite Softening Filter	IC Housing*
Custom Color		4000K	55°	Linear Spread Filter	



LUMEN PACKAGE		20°	30°	45°	55°	CRI Ra	R9
90S1A27	2700K 12W	lm	lm	lm	lm	90+	50+
90S1A30	3000K 12W	750lm	lm	lm	lm	90+	50+
90S1A35	3500K 12W	lm	lm	lm	lm	90+	50+
90S1A40	4000K 12W	lm	lm	lm	lm	90+	50+

LIGHT LOSS FACTOR	
Honeycomb Louver	0.55
Solite Filter	0.70
Frosted Filter	0.70
Linear Spread Filter	0.70

Preliminary, pre-launch test data. Delivered lumen values for fixed version. Adjustable values are ~5% lower. Optical filters will reduce delivered lumen values.

DRIVER		DIMMING CURVE	INPUT VOLTAGE	OUTPUT POWER	OUTPUT CURRENT	STANDBY POWER	POWER FACTOR	EFFICIENCY	RATING	DIMENSIONS	SAFETY
ELV	ELV / TRIAC Phase Cutting 3%	Logarithmic	120-277VAC	12W	250mA	<2.5W	0.92	70%	CLASS-2 SELV	8.1 x 1.6 x 1.2"	UL8750, UL1310, CSA25013, Class P
D10	0/1-10V Dim to off 0.1%	Linear	120-277VAC	12W	250mA	<1W	0.98	85%	CLASS-2 SELV	8.1 x 1.6 x 1.2"	UL8750, UL1310, CSA25013, Class P
DAL	DALI-2 Dim to off 0.1%	Logarithmic	120-277VAC	12W	250mA	<1W	0.98	85%	CLASS-2 SELV	8.1 x 1.6 x 1.2"	UL8750, UL1310, CSA25013, Class P

Power factor and efficiency measured at 120VAC full load.