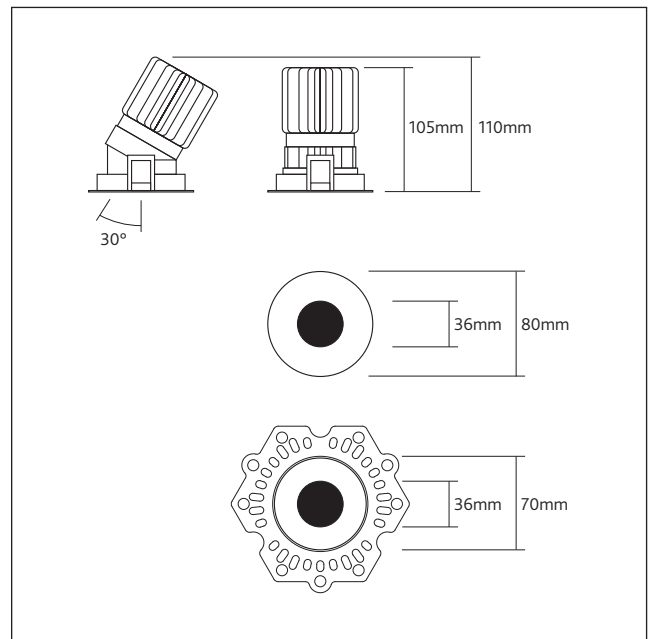


Luminaire Efficacy	HE ≤100lm/W	HO ≤90lm/W
Lumens	HE ≤1020lm	HO ≤1565lm
Power	HE 10.2W	HO 17.4W
Drive Current	HE 300mA	HO 500mA
CRI	CRI ≤94R _a ≤83R _g / TM30 ≤92R _f ≤102R _g	
CCT	2700K / 3000K / 3500K / 4000K / Tunable	
LED	eCORE® 2-SDCM EPREL Energy Class E	
Lifetime	L90B10 >55,000hrs (LM-80-15)	
Dimming	DALI 2 / TRIAC-ELV / 0-10V	
Beam Angles	18° / 25° / 30° / 35° / 45° / 50°	
Electrical Class	III SELV	
Wiring Distance	20m max. to remote driver (subject to EMC)	
Environment	IP64 Fix / IP20 Adj. IK02 25C Ta	
Finishes	White / Black / Custom RAL	
Cutout	Ø70mm	
Weight	0.350kg	

Low-glare Pinhole, Ø80mm diameter, recessed, aluminium diecast downlight. Round trimless or trimmed, fixed or adjustable. High Efficiency eCORE® up to **100lm/W** luminaire efficacy, exceeding Part L1 & L2 UK Building Regulations. High Output option delivering up to **1565lm** at 94CRI, dimmable with optional optical filters.



MODEL		TRIM		BAFFLE		LUMEN PACKAGE		BEAM			OPTICAL FILTER								
L3	Limbo 3	RT	Trim	W	White	F	Fixed	W	White	L18	18°	HL	Honeycomb Louvre ²						
			RL		Trimless		B		Black		A		Adjustable	B	Black	L20	20°	SF	Frosted Filter
					C				Custom				C		Custom		L25		25°
		E3SA9027	2700K 2-SDCM	L30	30°	NF	No Filter												
					E3SA9030		3000K 2-SDCM	L35	35°										
									E3SA9035	3500K 2-SDCM	L45	45°							
												E3SA9040	4000K 2-SDCM	L50	50°				
															E3TA9040	4000-1800K 3-SDCM			
		E3WA9030	3000-1800K 3-SDCM																

EXAMPLE: L3RLWFW3SA9030L30NF
Limbo 3 Round Trimless White Fixed White Baffle 3000K 30°

² Reduces IP rating to IP20

ENERGY EFFICIENCY



Exceeding the requirements of UK 2022 Building Regulations Part L1 Dwellings & Part L2 Non-Dwellings.



Fully compliant with ecoDESIGN regulations for energy-related products including EPREL Energy Labelling.

SUSTAINABILITY



Sustainable remanufacture, repair or upgrade giving a potential product lifespan of 25+ years.



Embodied carbon assessment using the TM65.2 lighting method and circular economy using TM66 CEAM (Make).



Fixed Trimless

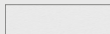


Fixed Trim

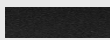


Adjustable Trimless

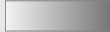
FINISHES



W - Matt White Powdercoat



B - Matt Black Powdercoat



C - Custom Colour on request

ACCESSORIES



D2N/1/TP40/R
3hr DALI2 Emergency Conversion Ø40mm



NLP/1/TP40/R
3hr Emergency Conversion Ø40mm



FAH200
FR60 Intumescent Cover Fire/Acoustic
Ø200xH200mm

OPTICAL FILTER



M3HL - Honeycomb Louvre
Light Loss Factor 0.72, Beam -20% (typ.)
Reduces IP rating to IP20



M3SF - Frosted Filter
Light Loss Factor 0.95, Beam +10° (typ.)



M3SO - Solite Filter
Light Loss Factor 0.95, Beam +10° (typ.)

Performance	Power W	Current mA	CCT K	Beam Angle								CRI		TM30				
				18° [450mA]	25°		30°		45°		50°		R _a	R _g	R _f	R _g		
eCORE^{HE} HIGH EFFICIENCY	10.2	300	2700		790lm	75mW	950m	95mW	1010lm	100mW	1000m	100mW		93	56	91	99	
	10.2	300	3000		835lm	80mW	1000m	100mW	1065lm	105mW	1045m	105mW		93	59	92	99	
	10.2	300	3500		850lm	85mW	1020m	100mW	1085lm	105mW	1070m	105mW		94	58	92	98	
	10.2	300	4000		865lm	85mW	1040m	100mW	1105lm	110mW	1090m	110mW		94	58	92	98	
eCORE^{HO} HIGH OUTPUT	17.4	500	2700	920lm*	55mW	1225m	70mW	1470m	80mW	1555m	86mW	1535m	85mW		93	52	91	100
	17.4	500	3000	965lm*	55mW	1290m	70mW	1545m	85mW	1640m	91mW	1620m	90mW		93	57	92	100
	17.4	500	3500	995lm*	60mW	1315m	75mW	1580m	87mW	1670m	90mW	1650m	90mW		94	58	92	98
	17.4	500	4000	1020lm*	60mW	1340m	75mW	1610m	89mW	1705m	94mW	1680m	88mW		94	58	92	98
WarmDIM	13.7	400	3000 - 1800	20°		30°		35°		45°			94	81	91	104		
				645lm	45mW	775m	55mW	725m	55mW	620m	45mW							
ColorTUNE	17.2	450	4000 - 1800	20°		30°		35°		45°			93	83	92	102		
				690lm	40mW	805m	45mW	750m	45mW	630m	35mW							

Delivered lumen values for fixed version; adjustable version approximately 5% lower. Optical filters will reduce delivered lumen value and alter beam angle. ColorTUNE & WarmDIM performance values are measured at highest CCT. *450mA driver required for 18° beam.

HE DRIVER	DIMMING TYPE	OUTPUT CURRENT	OUTPUT POWER	DIM MIN. %	POWER FACTOR full load	EFF. % full load	DIMENSIONS (mm)
CC30-0300-L1D	DALI 2	300mA	10.2W	0.1	0.9	87	Ø48 142x40x23
CC30-0300-L1A	0-10V	300mA	10.2W	0.1	0.9	87	Ø48 142x40x23
CC30-0300-L1T	TRIAC-ELV	300mA	10.2W	0.1	0.9	86	Ø48 142x40x23
CC27-0450-T1D	DALI DT8 ColorTUNE	450mA	17.2W	1	0.95	86	Ø48 156x44x22

Power factor and efficiency measured at full load. LIT drivers dimmable with leading edge (TRIAC) or trailing edge (ELV) phase cutting.

HO DRIVER	DIMMING TYPE	OUTPUT CURRENT	OUTPUT POWER	DIM MIN. %	POWER FACTOR full load	EFF. % full load	DIMENSIONS (mm)
CC30-0500-L1D	DALI 2	500mA	17.4W	0.1	0.9	87	Ø48 142x40x23
CC30-0500-L1A	0-10V	500mA	17.4W	0.1	0.9	87	Ø48 142x40x23
CC30-0500-L1T	TRIAC-ELV	500mA	17.4W	0.1	0.9	86	Ø48 142x40x23
CC30-0450-L1D	DALI 2 18° Beam	450mA	16.9W	0.1	0.9	87	Ø48 142x40x23
CC30-0450-L1A	0-10V 18° Beam	450mA	16.9W	0.1	0.9	87	Ø48 142x40x23
CC30-0400-L1D	DALI 2 WarmDIM	400mA	13.7W	0.1	0.9	87	Ø48 142x40x23