

LUMINO

ColorCORE® E50 ENGINE

IP20



Project:	Type:
Quantity:	Location:



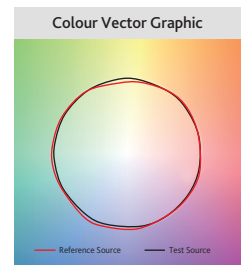
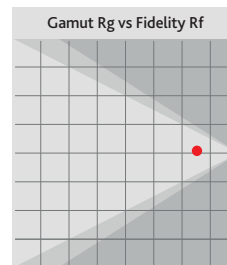
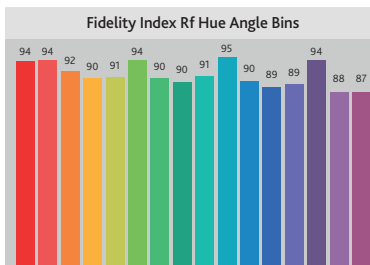
5 YEAR WARRANTY	CE	MET US E114422
2 STEP	95 CRI	2200K TO 4000K
L70B10 >60,000h	DRY LOCATION IP20	<1% LOW LEVEL DIMMING

Compact E50 ColorCORE® Engine provides lighting designers with a new light source for creating dramatic contrasts or subtle accents. Clean, pure optical beams 95Ra in 12° SPOT, 20° MEDIUM and 30° FLOOD.

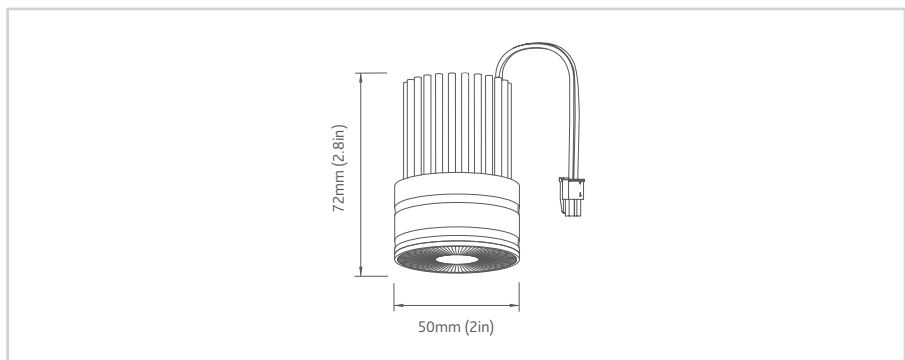
CCTs to match VECTOR linear profile from very warm white 2200K through to cool white 4000K with identical 2-STEP CCT binning and typical ≤95Ra ColorCORE® colour rendering.

Designed for void depths as shallow as 99mm when used with LUMINO STEORRA Downlights, E50 measures a compact 72mm high in MR16 (50mm diameter). Producing up to 855lm, all versions are dimmable down to <1% with smooth, flicker-free dimming control.

CCT K	CRI Ra	Rf	Rg
4000	≤95	≤92	≤100
3500	≤95	≤92	≤100
3000	≤95	≤92	≤100
2700	≤95	≤92	≤100
2500	≤90	≤82	≤100
2200	≤90	≤82	≤100



CCT K	SPOT	MEDIUM	FLOOD
4000	825lm	855lm	785lm
3500	800lm	820lm	760lm
3000	775lm	785lm	735lm
2700	750lm	760lm	715lm
2500	675lm	690lm	650lm
2200	625lm	630lm	600lm



All performance data including beam angle, CCT, lumen output, CRI, TM30 and W/M can vary according to factors such as, but not limited to temperature, batch, CCT, power, manufacturing tolerances and LOR.

LUMINO

ColorCORE® E50 ENGINE

IP20

ORDER CODES

BEAM

12° SPOT
20° MED
30° FLOOD

CCT

40 4000K
35 3500K
30 3000K
27 2700K
25 2500K
22 2200K

E 50 S - G 1 2 - B C 3 0

EXAMPLE: E50S 12° COLORCORE 3000K

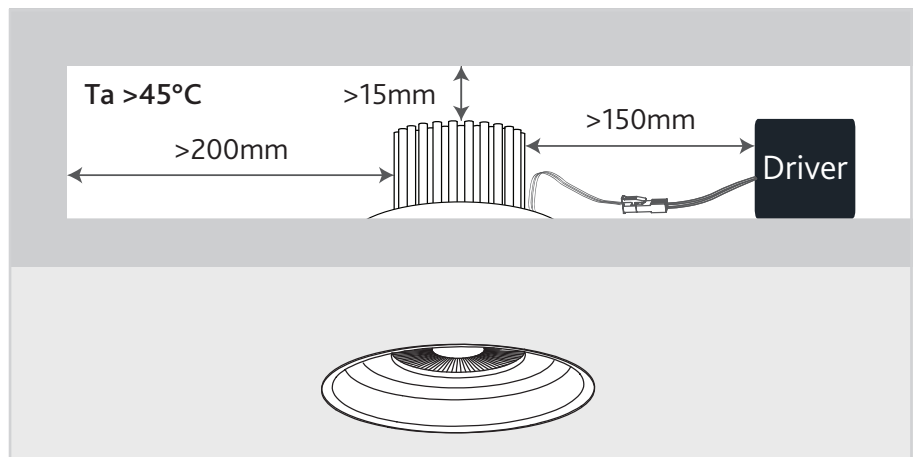
300 Max 12W
Max 300mA
Typ 38VF

SPOT BEAM
~12°

SPOT BEAM
~20°

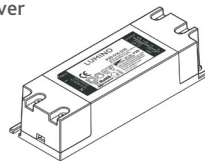
SPOT BEAM
~30°

VOID SPACE REQUIREMENTS



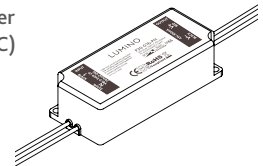
DIMMABLE DRIVERS

P30-016
300mA Driver
Non-Dim



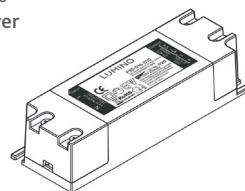
P30-016-PH
300mA Driver
Phase (TRIAC)
Dimmable
Dims to 10%

TRIAC
dimmable



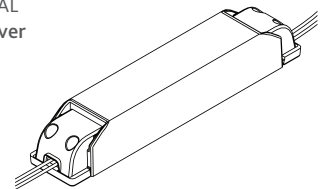
P30-016-D10
300mA Driver
0-10V
Dimmable
Dims to 1%

0-10V
dimmable



P30-020-DAL
300mA Driver
DALI
Dimmable
Dims to 1%

DALI
dimmable



*WARRANTY: Five Year
Warranty subject to project
registration and warranty terms
and conditions.

LUMINO DISTRIBUTION LTD
Lumino House, Lovet Road
Harlow, Essex CM19 5TB
United Kingdom
+44 (0) 1279 635411