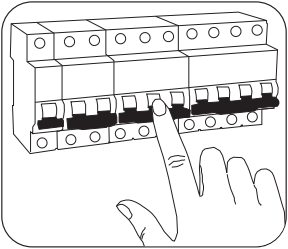
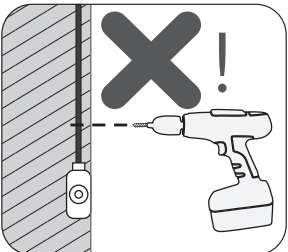


Check!



TURN OFF POWER!
COUPER LE COURANT!
STROM ABSHALTEN!
CORTE CORRIENTE!

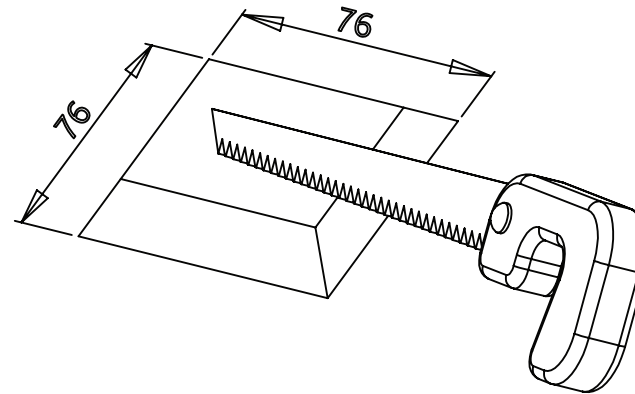


CHECK THE WALL!
VÉRIFIER LE MUR!
DIE WAND ÜBERPRÜFEN!
COMPRUEBE LA PARED!

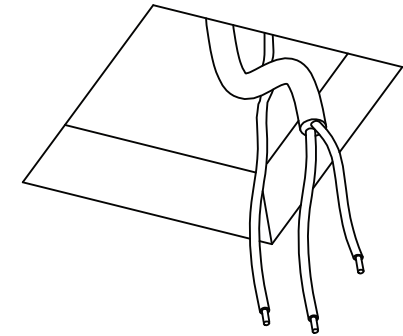


Steorra Zero and Frame housings are not suitable for wet areas and must only be used where humidity remains below 55%RH and air temperature below 30 degrees centigrade. For wet locations use Steorra Stealth housings only.

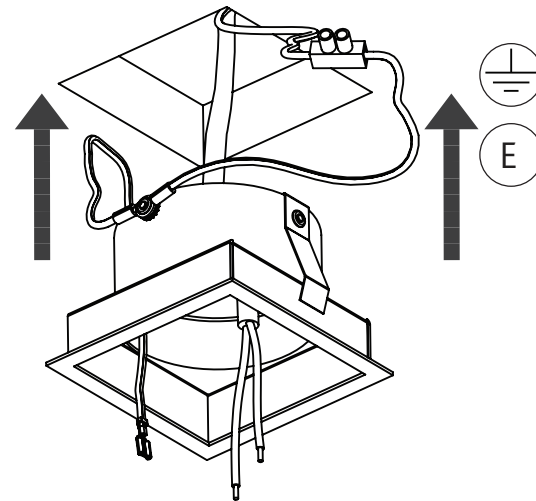
1



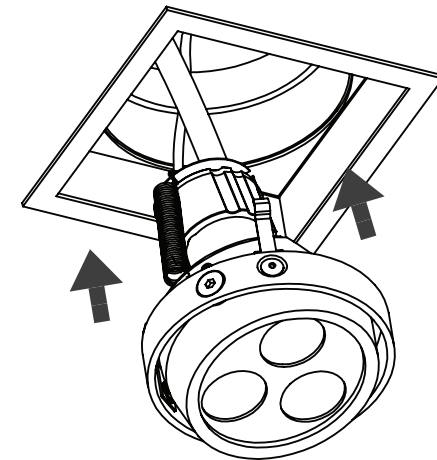
2



3



4



- Damage will be caused by incorrect input voltage or short circuit
- Ensure access and sufficient free moving air space around products and drivers
- Products and power supply gear must not be live wired
- Protect products from dust & paint during installation and use
- Shielded pair of cables will be required for dimming control signal if applicable
- Plan for loads, driver locations, dimming and suitable cable prior to installing
- For technical assistance contact your local Lumino distributor.
- Use only with class 2 power unit to UL 1310 standard
- Use only with maximum output 24VDC voltage Class 2 power unit

ESSENTIAL ACCESSORIES

S66T-AE/F012-R2 Steorra 66 Square Frame Trim White/Black

OPTIONAL ACCESSORIES

S66I-CE/F001-R2	Fixed insert white/black IP20
S66I-CE/F002-R2	Semi-directional insert white/black IP20
S66I-DE/F001-R2	Fixed insert white/black IP64
S66A-AA011-R2	Lampholder kit GU10
S66A-AA010-R2	Lampholder kit GX5.3
S66A-AA001-R2	Steorra 66 extraction tool

The information in this document is subject to revisions without notice
Check for the latest Installation Manuals at www.lumino.lighting
Copyright © 2016 Lumino Limited
E&OE

IMS66T-AE/F012-R2 (R04)

For further help regarding installation visit lumino.lighting