

LUMINO

alphaHELIX

ACCESSORIES INSTALLATION MANUAL

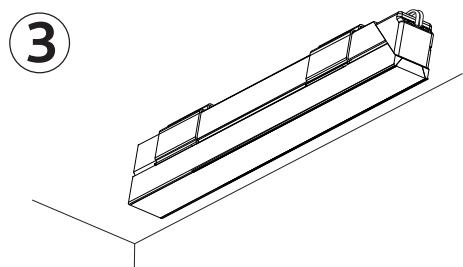
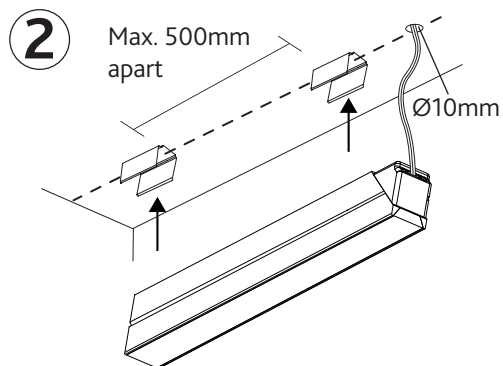
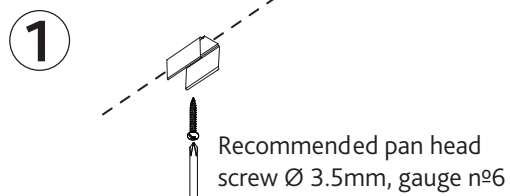
READ BEFORE INSTALLATION AND READ
alphaHELIX INSTALLATION MANUAL



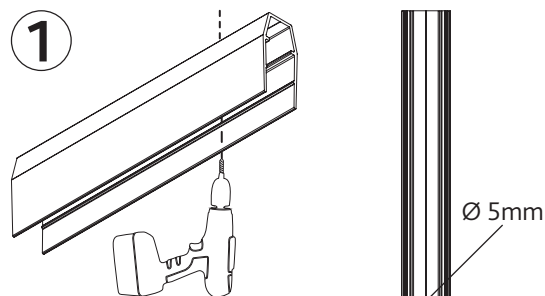
IMHXA2-R1902



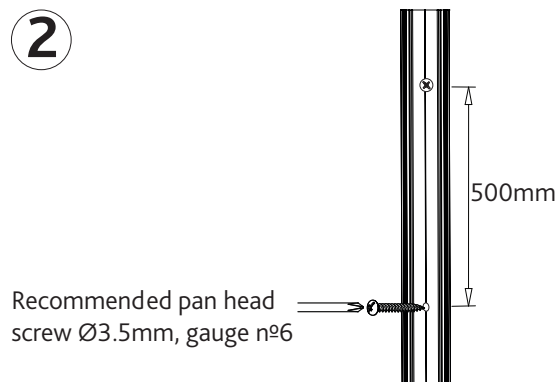
SURFACE CLIPS



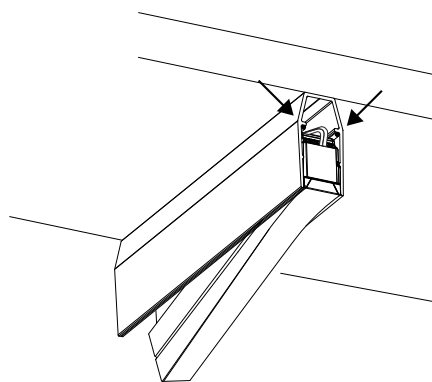
SURFACE CHANNEL



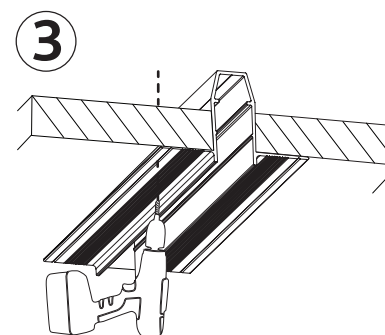
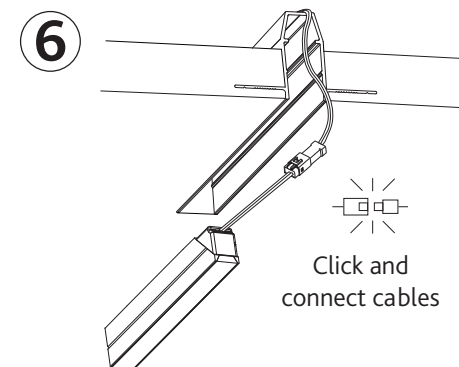
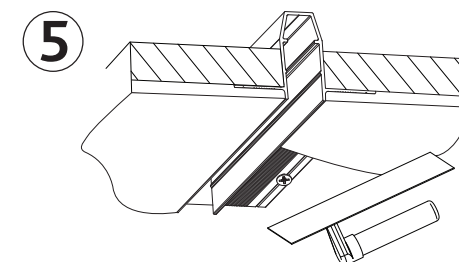
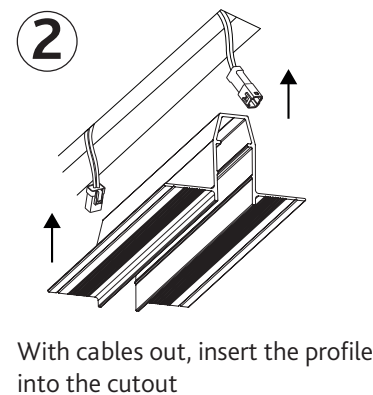
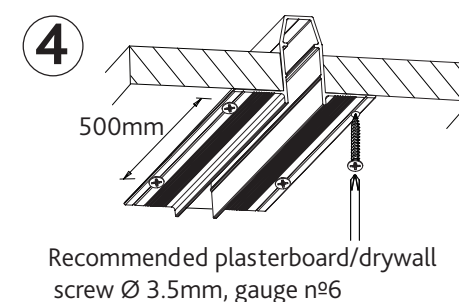
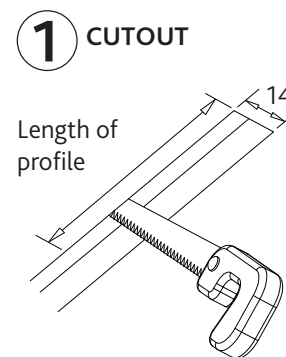
Drill 5mm holes on the centre line, spacing them no more than 500mm apart



3 Apply two small bead lines of silicone sealant inside the channel before pushing the alphaHELIX to bond in place.



RECESSED PLASTER-IN CHANNEL



Drill 5mm holes on the centre line, spacing them no more than 500mm apart

7 Apply two small bead lines of silicone sealant inside the channel before pushing alphaHELIX to bond in place.

