

LUMINO

A12E

INSTALLATION MANUAL

IMA12E_R2101

TECHNICAL SUPPORT
+44(0) 1279 635 411
www.lumino.lighting

LUMINO DISTRIBUTION LTD
Lumino House, Lovet Road
Harlow, Essex CM19 5TB
United Kingdom

Installers must read this document and any other referenced documents in full before commencing installation work. Failure to observe all installation guidance in this document may result in unsafe installation, cause permanent product damage and void product warranty.

This document is subject to change without notice.

Check for latest documentation with LUMINO.

Copyright © LUMINO. E&OE



HANDLING PRECAUTIONS

PLASTIC COVER / DIFFUSER

To avoid permanent damage, do not allow small or sharp objects to apply pressure on to the plastic cover / diffuser.

STRESS

Never stand or place weighted items on the product. The product is not vandal resistant and has no IK rating. Do not subject the product to impact forces.

POWER CABLES

The product end caps, power cables and connectors must not be pulled or twisted. Never pull the product by its power cables or hang it from its power cables or connectors.

CUTTING AND SAWING

The product must not be cut, sawn, drilled or otherwise modified in any way.

DAMAGES

Inspect the product and if you see any damage upon unpacking report to LUMINO immediately and do not install the product.

LOCATION

Use in a dry location only. This product is unsuitable for wet and damp locations. IP50 rated for dust protection.

Protect product from dust, paint and harmful substances during installation and use. Ensure product is not exposed to VOC gases.

SAFETY GUIDANCE

WIRING GUIDE

Follow the guidance shown in the provided wiring guide including maximum cable lengths, cable sizes and other wiring instructions. When running cables through an enclosure, ensure cables are protected from damage, separated from mains voltage cables and anchored against being pulled.

QUALIFIED INSTALLER

Installation must be carried out by a qualified person and conducted in accordance with local regulations and applicable standards.

THERMAL MANAGEMENT

This LED module does not require specific thermal management but installers must note that the product is rated for use in an ambient air temperature (Ta) not exceeding 30°C (86°F) and a case temperature (Tc) not exceeding 60°C (140°F). Exceeding maximum Tc will cause permanent damage and void the product warranty.

Allow sufficient clear air space for the LED drivers, as well as suitable access to the drivers as specified on installation instructions.

REPAIR AND REPLACEMENT

If the product is not functioning, contact LUMINO to register a Service Call for factory repair or replacement.

DRIVERS

POWER OFF

Product and driver must not be live wired. Switch off power before work begins. Follow instructions and guidance for the make and model of driver being used.

24VDC SELV

Ensure supply voltage does not exceed 24VDC. Only use drivers with maximum output of 24VDC. Drivers must be SELV constant voltage type with both overload and short-circuit protection.

INRUSH CURRENT

Many constant voltage LED drivers can have high inrush current at power-on. Driver inrush current can be many times the normal operating current. Use a suitable MCB. Type C MCBs are normally suitable but if inrush current is a persistent problem an inrush suppressor may be required.

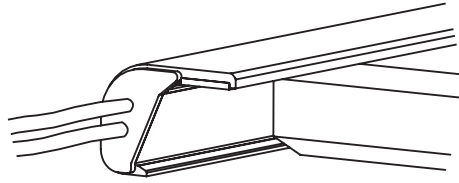
PROTECTION

Use only with 24VDC Class 2 power unit to UL1310 standard with overload and short-circuit protection. Rate drivers for at least 10% above load. Driver protection circuitry must not be relied upon to protect secondary 24VDC electrical circuits from damage caused by over-current or short circuit. DC fuses or DC electronic circuit breakers are recommended for full protection. Allow for access to drivers for maintenance and sufficient clear air space for ventilation.

CABLING

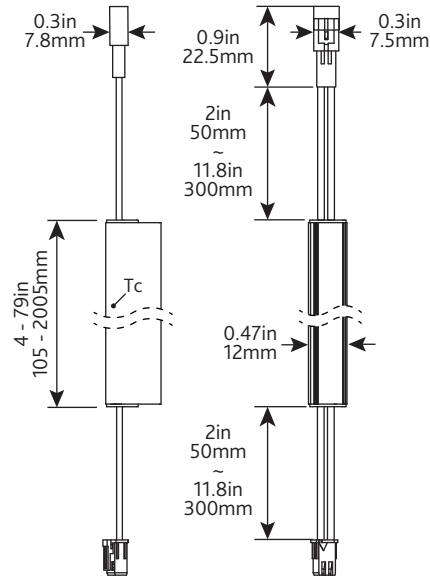
Do not overload the driver. Damage will be caused by incorrect input voltage, reverse polarity or short circuit. Plan for loads, driver locations, dimming and cabling prior to start of work. Ensure basic insulation is maintained between mains and dimming control wires.

LUMINO

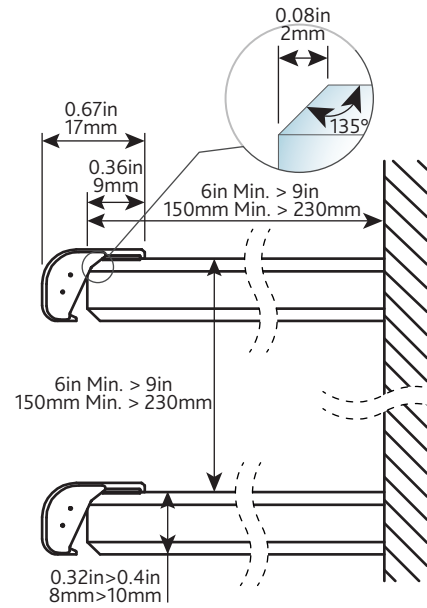


A12E Installation Manual

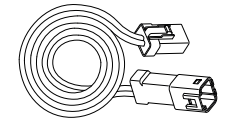
SPECIFICATION



GLASS RECOMMENDATIONS



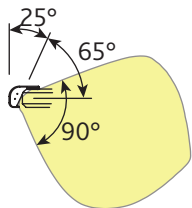
CABLE & CONNECTOR



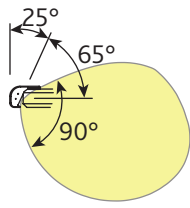
VECA-CA0250-2PMF-R1
Power link, 250mm cable length

VECA-CA1000-2PMF-R1
Power link, 1000mm cable length

BEAM ANGLES

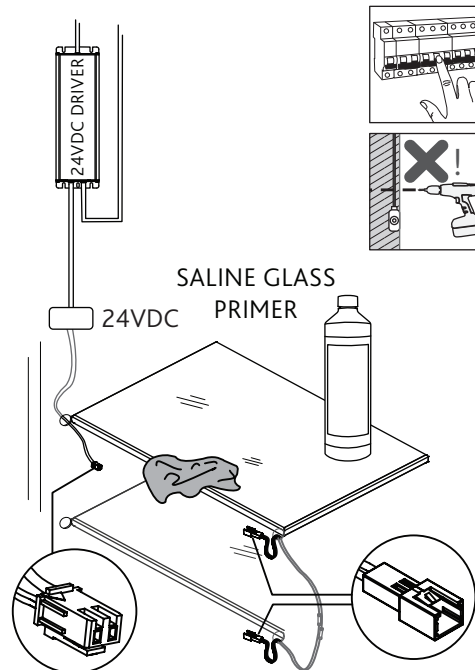


CLEAR
LOR 0.9

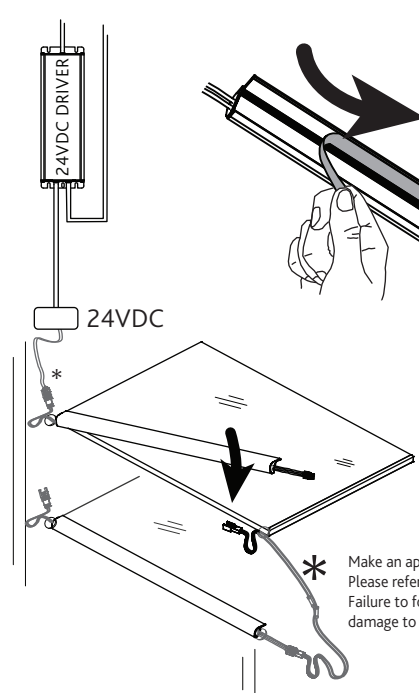


OPAL OPX
LOR 0.6

1. VAC DIM.



2. VAC DIM.



* Make an appropriate IP rated connection.
Please refer to provided wiring guide document.
Failure to follow the provided guide may result in damage to the product and voiding of warranty.