

LUMINO

CV Driver P24-100-D10-R02

Vector

Project:	Type:
Quantity:	Location:



DAMP LOCATION IP67
24VDC CONSTANT VOLTAGE



- FOR USE WITH:
- VectorFLEX
 - Vector V10S
 - Vector V12S
 - Vector V20S
 - Vector V20S KIT
 - Vector V20S Superlinear
 - Vector V36S
 - Vector V36R
 - Vector V36I

PERFORMANCE DATA

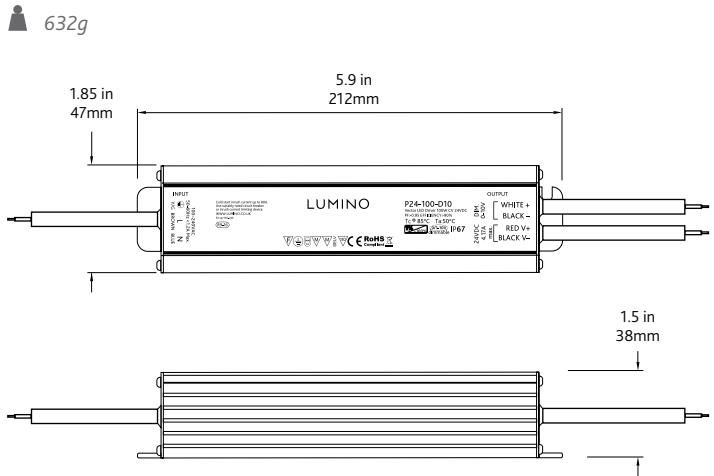
0-10V 100-1% Dimming Range

24VDC	Output Voltage	90-305 VAC	Input Voltage
4.17A	Output Current	47-63Hz	Input Frequency
100W	Output Power	1.2A	Input Current(typ.)
85°C Max	Case Temp Tc	90%	Efficiency(typ.)
PF>0.95	Power Factor	80A	Inrush current (typ.)
5W	Min. Load	IP67	Protection degree

ORDER CODES : P24-100-D10-R02

DIMENSIONS

Total length of cable for each end is 240±20mm.



Lumino Head Office
Lumino House, Lovet Road,
Harlow Essex CM19 5TB
United Kingdom

T +44 (0) 1279 635411
F +44 (0) 1279 626101
E info@lumino.lighting

Lumino North America
One Penn Plaza,
36th floor
New York, NY 10119
USA

T (212)786-7463
E info@lumino.lighting

