

LUMINO

CV Driver P24-100-DAL-R02

Vector

Project:	Type:
Quantity:	Location:



DAMP
LOCATION
IP66

24VDC
CONSTANT
VOLTAGE



FOR USE WITH:

- VectorFLEX
- Vector V10S
- Vector V12S
- Vector V20S
- Vector V20S KIT
- Vector V20S Superlinear
- Vector V36S
- Vector V36R
- Vector V36I

PERFORMANCE DATA

DALI 100-1% Dimming Range*

24VDC	Output Voltage	100-265VAC	Input Voltage
4.17A	Output Current	50-60Hz	Input Frequency
100W	Output Power	1.23A	Input Current(typ.)
70°C Max	Case Temp Tc	86%	Efficiency(typ.)
PF>0.98	Power Factor	45A	Inrush current (typ.)
5W	Min. Load	IP66	Protection degree

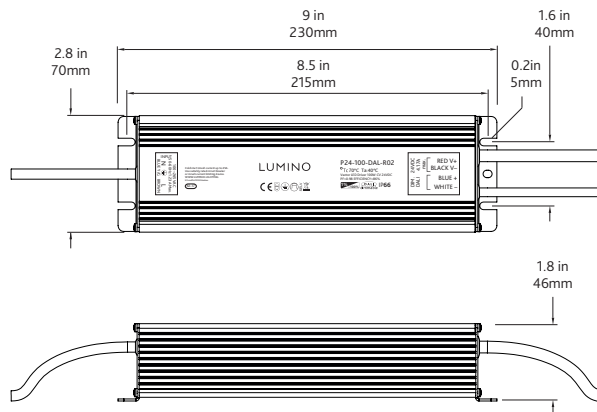
ORDER CODES : P24-100-DAL-R02

*DALI-compatible and controlled using a DALI signal however not all IEC62386 features (such as lamp failure and status reporting) are included.

DIMENSIONS

Total length of cable for each end is 200±20mm.

1.02 kg



Lumino Head Office
Lumino House, Lovet Road,
Harlow Essex CM19 5TB
United Kingdom

T +44 (0) 1279 635411
F +44 (0) 1279 626101
E info@lumino.lighting

Lumino North America
One Penn Plaza,
36th floor
New York, NY 10119
USA

T (212)786-7463
E info@lumino.lighting

Find us on

