

## LINEAR SUSPENDED LIGHTING

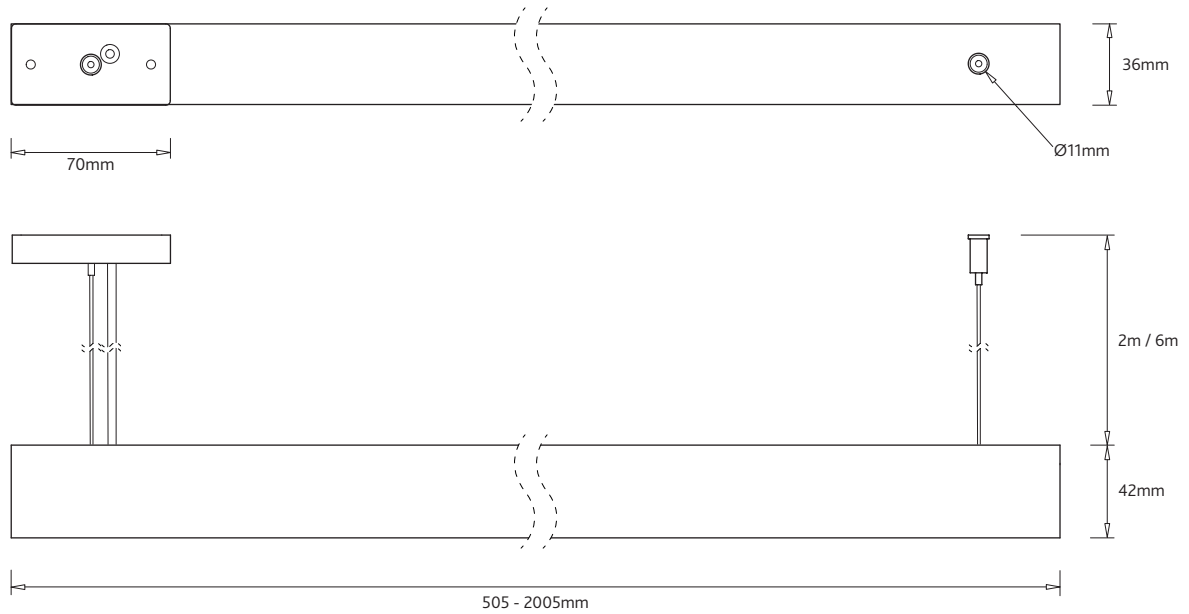
<b>DRY LOCATION</b> IP20	<b>5 YEAR WARRANTY*</b>
<b>L70B10</b> >60,000h	<b>2200k TO 4000k</b>
<b>≤ 95 CRI</b>	<b>≤ 30 W/m</b> <b>≤ 1330 lm/m</b>

- Slim, 36mm width, linear profile-system
- Bespoke, single lengths up to 2m
- Continuous system to any length
- PRISMA Low Glare UGR 19 or OPX High Lumen option
- Dimmable DALI | DMX | 0-10v | PHASE
- ColorCORE® Premium 95Ra, 2-Step 2200-4000K, ≤1330lm/m delivered
- EQ™ 95Ra, 3-Step 2700/3000/4000K, ≤965lm/m delivered
- ColorTUNE 95Ra, 1800-4000K, ≤1040lm/m delivered
- WarmDIM 3000K-1800K, ≤420lm/m delivered
- RGB & RGBW LEDs for colour-mixing + white

ColorCORE®	2-Step Premium 95Ra
EQ™	3-Step 95Ra
ColorTUNE™	Fully tunable CCT
RGB & RGBW	Full colour-mixing + white
WarmDIM	1800K to 3000K



## DIMENSIONS



~1195g per metre

## SPECIFICATION CODES

FINISH	DIFFUSION	PROFILE LENGTH	SINGLE CCT	LED TYPE   POWER	IN-LINE TYPE	DROP HEIGHT	
<b>D</b> SILVER ANODISED  <b>E</b> WHITE RAL 9003  <b>F</b> BLACK RAL 9005	<b>D</b> OPX  <b>U</b> PRISMA UGR <19	<b>XXXX</b> LENGTH MM  <i>Refer to page 3</i>  <i>LED illuminated length made in increments of:</i>  Single CCT 50mm RGB 50mm WarmDIM 62.5mm ColorTUNE 71.4mm RGBW 100mm	<b>R1</b> 2200K* <b>Y1</b> 2500K* <b>T1</b> 2700K <b>U1</b> 3000K <b>V1</b> 3500K* <b>W1</b> 4000K	<b>S</b> COLORCORE 12WM <b>U</b> COLORCORE 24WM <b>V</b> COLORCORE 30WM <b>G</b> EQ 12WM <b>I</b> EQ 24WM  <b>TUNABLE   WARMDIM</b> <b>UPG</b> ColorTUNE 3000K ~ 1800K 24WM <b>WRG</b> ColorTUNE 4000K ~ 2200K 24WM <b>UPZ</b> WarmDIM 3000K ~ 1800K 9.6WM  <b>RGBW   RGB</b> <b>OUG</b> RGBW - RGB 9.6WM + 3000K 12WM <b>OUI</b> RGBW - RGB 9.6WM + 3000K 24WM <b>OIA</b> RGB 14.4WM	<b>V</b> SINGLE PIECE  <b>W</b> IN-LINE START  <b>X</b> IN-LINE MIDDLE  <b>Y</b> IN-LINE END	<b>2</b> ≤2M  <b>6</b> ≤6M	
<b>V36P</b>	<b>C</b>	<b>D</b>	<b>U</b>	<b>1005</b>	<b>W1U</b>	<b>V</b>	<b>2</b>

EXAMPLE: V36P

IP20

SILVER

PRISMA

1005MM

4000K COLORCORE 24WM

SINGLE

2M

\*CCT only available in ColorCORE®

## STANDARD LENGTHS

## CUSTOM LENGTHS



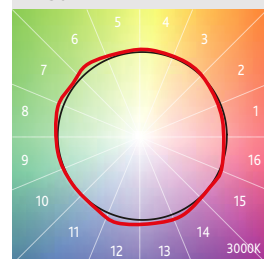


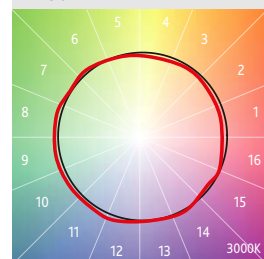

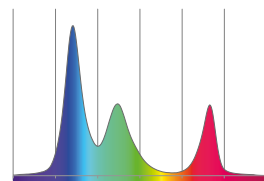

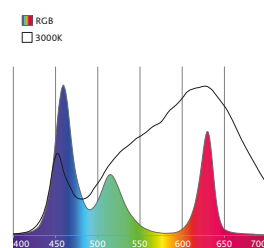


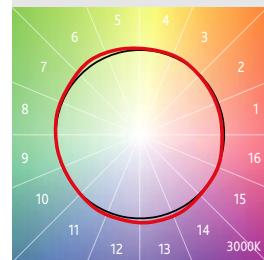


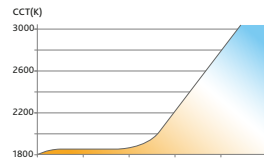
Bespoke, custom sizes are available as special order products. Contact LUMINO for further details.

	Single CCT / RGB	RGBW	ColorTUNE	WarmDIM
500	505mm	505mm	505mm	505mm
600	555mm		576mm	568mm
	605mm	605mm		
700	655mm		648mm	630mm
	705mm	705mm	719mm	693mm
800	755mm			755mm
	805mm	805mm	790mm	818mm
900	855mm		862mm	880mm
	905mm	905mm	933mm	943mm
1000	955mm			
	1005mm	1005mm	1005mm	1005mm
1100	1055mm		1076mm	1068mm
	1105mm	1105mm		
1200	1155mm		1147mm	1130mm
	1205mm	1205mm	1219mm	1193mm
1300	1255mm			1255mm
	1305mm	1305mm	1290mm	1318mm
1400	1355mm		1362mm	1380mm
	1405mm	1405mm	1433mm	1443mm
1500	1455mm			
	1505mm	1505mm	1504mm	1505mm
1600	1555mm		1576mm	1568mm
	1605mm	1605mm	1647mm	1630mm
1700	1655mm			
	1705mm	1705mm	1719mm	1693mm
1800	1755mm			1755mm
	1805mm	1805mm	1790mm	1818mm
1900	1855mm		1861mm	1880mm
	1905mm	1905mm	1933mm	1943mm
2000	1955mm			
	2005mm	2005mm	2004mm	2005mm

## PRISMA UGR (UNIFIED GLARE RATINGS)

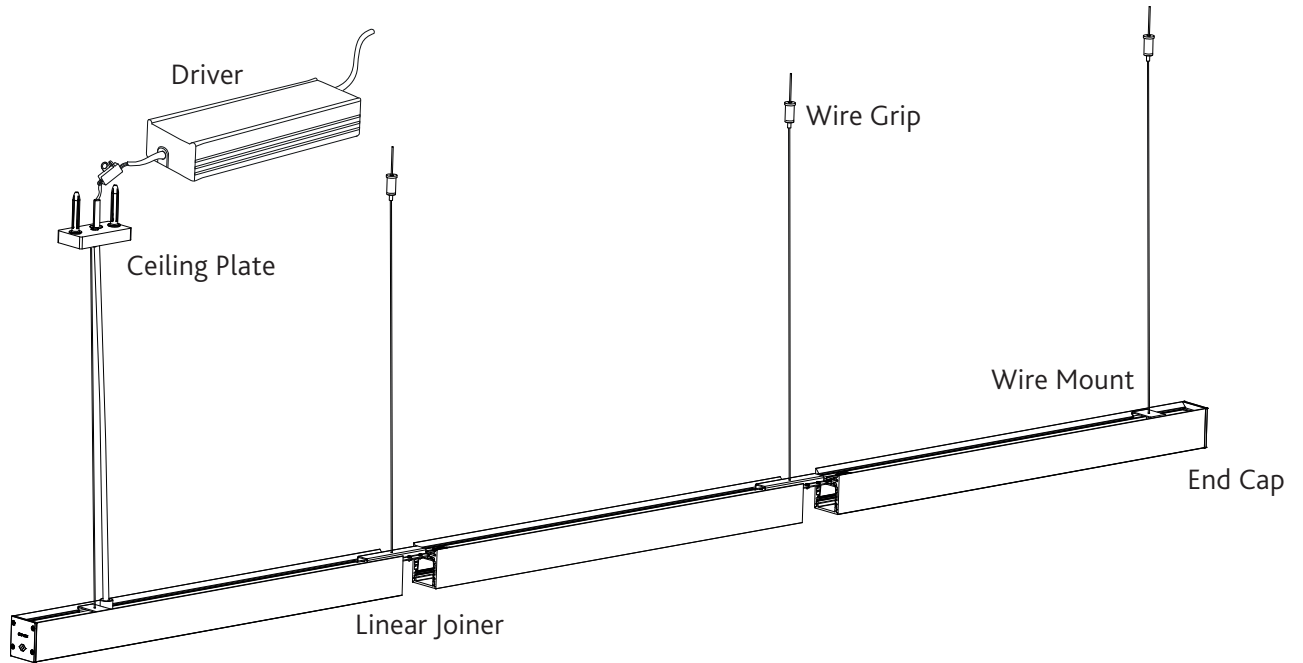
PRISMA UGR 4H x 8H														
CCT	ColorCORE				EQ			ColorTUNE		WarmDIM	RGB	RGBW		
	6 W/m	12 W/m	24 W/m	30 W/m	6 W/m	12 W/m	24 W/m	12 W/m	12+12 W/m	9.6 W/m	14.4 W/m	9.6 W/m	12 W/m	24 W/m
4000K	14.9	17.2	19.3	20.0	14.4	16.8	18.7	17.1						
3500K	14.9	17.2	19.3	19.9										
3000K	14.8	17.1	19.2	19.8	14.2	16.6	18.5	17.0	19.1	15.9			16.6	18.6
2700K	14.6	17.0	19.1	19.8	14.1	16.4	18.4							
2500K	14.6	17.0	19.1	19.8					18.7					
2200K	14.6	17.0	18.9	19.6				16.3						
1800K								15.5						
RGB / RGBW											15.2		13.5 / 18.6	19.3

## LED PACKAGES

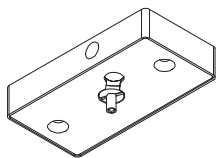
 <p><b>2-STEP</b> CCT Binning</p> 	<p><b>Colour Rendering</b></p> <table border="1"> <thead> <tr> <th>CCT</th> <th>Ra</th> <th>R9</th> <th>Rf</th> <th>Rg</th> </tr> </thead> <tbody> <tr> <td>4000K</td> <td>95</td> <td>81</td> <td>92</td> <td>100</td> </tr> <tr> <td>3500K</td> <td>95</td> <td>73</td> <td>92</td> <td>100</td> </tr> <tr> <td>3000K</td> <td>95</td> <td>70</td> <td>92</td> <td>100</td> </tr> <tr> <td>2700K</td> <td>93</td> <td>63</td> <td>92</td> <td>100</td> </tr> <tr> <td>2500K</td> <td>84</td> <td>31</td> <td>82</td> <td>100</td> </tr> <tr> <td>2200K</td> <td>84</td> <td>30</td> <td>82</td> <td>100</td> </tr> </tbody> </table>	CCT	Ra	R9	Rf	Rg	4000K	95	81	92	100	3500K	95	73	92	100	3000K	95	70	92	100	2700K	93	63	92	100	2500K	84	31	82	100	2200K	84	30	82	100	<p><b>Lumen Output   lm/m</b></p> <table border="1"> <thead> <tr> <th colspan="3">LED tape   W/m</th> <th colspan="3">OPX diffuser   W/m</th> <th colspan="3">Prisma diffuser   W/m</th> </tr> <tr> <th>12</th> <th>24</th> <th>30</th> <th>12</th> <th>24</th> <th>30</th> <th>12</th> <th>24</th> <th>30</th> </tr> </thead> <tbody> <tr> <td>1300</td> <td>2400</td> <td>2900</td> <td>610</td> <td>1130</td> <td>1360</td> <td>560</td> <td>1040</td> <td>1265</td> </tr> <tr> <td>1300</td> <td>2350</td> <td>2850</td> <td>610</td> <td>1105</td> <td>1340</td> <td>560</td> <td>1020</td> <td>1240</td> </tr> <tr> <td>1250</td> <td>2300</td> <td>2800</td> <td>590</td> <td>1080</td> <td>1315</td> <td>540</td> <td>990</td> <td>1205</td> </tr> <tr> <td>1200</td> <td>2200</td> <td>2700</td> <td>565</td> <td>1035</td> <td>1270</td> <td>525</td> <td>965</td> <td>1175</td> </tr> <tr> <td>1200</td> <td>2200</td> <td>2700</td> <td>565</td> <td>1035</td> <td>1270</td> <td>525</td> <td>965</td> <td>1175</td> </tr> <tr> <td>1150</td> <td>2050</td> <td>2550</td> <td>540</td> <td>965</td> <td>1200</td> <td>525</td> <td>910</td> <td>1110</td> </tr> </tbody> </table>	LED tape   W/m			OPX diffuser   W/m			Prisma diffuser   W/m			12	24	30	12	24	30	12	24	30	1300	2400	2900	610	1130	1360	560	1040	1265	1300	2350	2850	610	1105	1340	560	1020	1240	1250	2300	2800	590	1080	1315	540	990	1205	1200	2200	2700	565	1035	1270	525	965	1175	1200	2200	2700	565	1035	1270	525	965	1175	1150	2050	2550	540	965	1200	525	910	1110	<p><b>TM30</b></p> 
CCT	Ra	R9	Rf	Rg																																																																																																										
4000K	95	81	92	100																																																																																																										
3500K	95	73	92	100																																																																																																										
3000K	95	70	92	100																																																																																																										
2700K	93	63	92	100																																																																																																										
2500K	84	31	82	100																																																																																																										
2200K	84	30	82	100																																																																																																										
LED tape   W/m			OPX diffuser   W/m			Prisma diffuser   W/m																																																																																																								
12	24	30	12	24	30	12	24	30																																																																																																						
1300	2400	2900	610	1130	1360	560	1040	1265																																																																																																						
1300	2350	2850	610	1105	1340	560	1020	1240																																																																																																						
1250	2300	2800	590	1080	1315	540	990	1205																																																																																																						
1200	2200	2700	565	1035	1270	525	965	1175																																																																																																						
1200	2200	2700	565	1035	1270	525	965	1175																																																																																																						
1150	2050	2550	540	965	1200	525	910	1110																																																																																																						
 <p><b>3-STEP</b> CCT Binning</p> 	<p><b>Colour Rendering</b></p> <table border="1"> <thead> <tr> <th>CCT</th> <th>Ra</th> <th>R9</th> <th>Rf</th> <th>Rg</th> </tr> </thead> <tbody> <tr> <td>4000K</td> <td>95</td> <td>76</td> <td>92</td> <td>98</td> </tr> <tr> <td>3000K</td> <td>95</td> <td>70</td> <td>92</td> <td>98</td> </tr> <tr> <td>2700K</td> <td>95</td> <td>70</td> <td>89</td> <td>97</td> </tr> </tbody> </table>	CCT	Ra	R9	Rf	Rg	4000K	95	76	92	98	3000K	95	70	92	98	2700K	95	70	89	97	<p><b>Lumen Output   lm/m</b></p> <table border="1"> <thead> <tr> <th colspan="2">LED tape   W/m</th> <th colspan="2">OPX diffuser   W/m</th> <th colspan="2">Prisma diffuser   W/m</th> </tr> <tr> <th>12</th> <th>24</th> <th>12</th> <th>24</th> <th>12</th> <th>24</th> </tr> </thead> <tbody> <tr> <td>1170</td> <td>2050</td> <td>550</td> <td>965</td> <td>505</td> <td>880</td> </tr> <tr> <td>1100</td> <td>1925</td> <td>520</td> <td>905</td> <td>475</td> <td>830</td> </tr> <tr> <td>1050</td> <td>1840</td> <td>495</td> <td>865</td> <td>450</td> <td>790</td> </tr> </tbody> </table>	LED tape   W/m		OPX diffuser   W/m		Prisma diffuser   W/m		12	24	12	24	12	24	1170	2050	550	965	505	880	1100	1925	520	905	475	830	1050	1840	495	865	450	790	<p><b>TM30</b></p> 																																																									
CCT	Ra	R9	Rf	Rg																																																																																																										
4000K	95	76	92	98																																																																																																										
3000K	95	70	92	98																																																																																																										
2700K	95	70	89	97																																																																																																										
LED tape   W/m		OPX diffuser   W/m		Prisma diffuser   W/m																																																																																																										
12	24	12	24	12	24																																																																																																									
1170	2050	550	965	505	880																																																																																																									
1100	1925	520	905	475	830																																																																																																									
1050	1840	495	865	450	790																																																																																																									
	<p><b>Colour Rendering</b></p> <table border="1"> <thead> <tr> <th>CCT</th> <th>Ra</th> <th>R9</th> <th>Rf</th> <th>Rg</th> </tr> </thead> <tbody> <tr> <td>RED</td> <td colspan="4">Dominant Wavelength 630NM</td> </tr> <tr> <td>GREEN</td> <td colspan="4">Dominant Wavelength 525NM</td> </tr> <tr> <td>BLUE</td> <td colspan="4">Dominant Wavelength 470NM</td> </tr> <tr> <td>RGB</td> <td>68</td> <td>-</td> <td>58</td> <td>83</td> </tr> </tbody> </table>	CCT	Ra	R9	Rf	Rg	RED	Dominant Wavelength 630NM				GREEN	Dominant Wavelength 525NM				BLUE	Dominant Wavelength 470NM				RGB	68	-	58	83	<p><b>Lumen Output   lm/m</b></p> <table border="1"> <thead> <tr> <th colspan="2">LED tape   W/m</th> <th colspan="2">OPX diffuser   W/m</th> <th colspan="2">Prisma diffuser   W/m</th> </tr> <tr> <th>14.4</th> <th>14.4</th> <th>14.4</th> <th>14.4</th> <th>14.4</th> <th>14.4</th> </tr> </thead> <tbody> <tr> <td>125</td> <td>59</td> <td>55</td> <td>442</td> <td>208</td> <td>190</td> </tr> <tr> <td>113</td> <td>53</td> <td>50</td> <td>TOTAL 680</td> <td>TOTAL 320</td> <td>TOTAL 295</td> </tr> </tbody> </table>	LED tape   W/m		OPX diffuser   W/m		Prisma diffuser   W/m		14.4	14.4	14.4	14.4	14.4	14.4	125	59	55	442	208	190	113	53	50	TOTAL 680	TOTAL 320	TOTAL 295	<p><b>Wavelength</b></p> 																																																										
CCT	Ra	R9	Rf	Rg																																																																																																										
RED	Dominant Wavelength 630NM																																																																																																													
GREEN	Dominant Wavelength 525NM																																																																																																													
BLUE	Dominant Wavelength 470NM																																																																																																													
RGB	68	-	58	83																																																																																																										
LED tape   W/m		OPX diffuser   W/m		Prisma diffuser   W/m																																																																																																										
14.4	14.4	14.4	14.4	14.4	14.4																																																																																																									
125	59	55	442	208	190																																																																																																									
113	53	50	TOTAL 680	TOTAL 320	TOTAL 295																																																																																																									
	<p><b>Colour Rendering</b></p> <table border="1"> <thead> <tr> <th>CCT</th> <th>Ra</th> <th>R9</th> <th>Rf</th> <th>Rg</th> </tr> </thead> <tbody> <tr> <td>RED</td> <td colspan="4">Dominant Wavelength 630NM</td> </tr> <tr> <td>GREEN</td> <td colspan="4">Dominant Wavelength 525NM</td> </tr> <tr> <td>BLUE</td> <td colspan="4">Dominant Wavelength 470NM</td> </tr> <tr> <td>RGB</td> <td></td> <td></td> <td></td> <td></td> </tr> <tr> <td>EQ 3000K</td> <td>93</td> <td>66</td> <td>92</td> <td>101</td> </tr> <tr> <td>RGB + 3000K</td> <td></td> <td></td> <td></td> <td></td> </tr> </tbody> </table>	CCT	Ra	R9	Rf	Rg	RED	Dominant Wavelength 630NM				GREEN	Dominant Wavelength 525NM				BLUE	Dominant Wavelength 470NM				RGB					EQ 3000K	93	66	92	101	RGB + 3000K					<p><b>Lumen Output   lm/m</b></p> <table border="1"> <thead> <tr> <th colspan="2">LED tape   W/m</th> <th colspan="2">OPX diffuser   W/m</th> <th colspan="2">Prisma diffuser   W/m</th> </tr> <tr> <th>12 + 9.6</th> <th>24 + 9.6</th> <th>12 + 9.6</th> <th>24 + 9.6</th> <th>12 + 9.6</th> <th>24 + 9.6</th> </tr> </thead> <tbody> <tr> <td>100</td> <td>100</td> <td>45</td> <td>45</td> <td>45</td> <td>45</td> </tr> <tr> <td>275</td> <td>275</td> <td>130</td> <td>130</td> <td>120</td> <td>120</td> </tr> <tr> <td>60</td> <td>60</td> <td>30</td> <td>30</td> <td>25</td> <td>25</td> </tr> <tr> <td>435</td> <td>435</td> <td>205</td> <td>205</td> <td>190</td> <td>190</td> </tr> <tr> <td>1100</td> <td>1925</td> <td>515</td> <td>905</td> <td>475</td> <td>830</td> </tr> <tr> <td>1535</td> <td>2360</td> <td>720</td> <td>1110</td> <td>665</td> <td>1020</td> </tr> </tbody> </table>	LED tape   W/m		OPX diffuser   W/m		Prisma diffuser   W/m		12 + 9.6	24 + 9.6	12 + 9.6	24 + 9.6	12 + 9.6	24 + 9.6	100	100	45	45	45	45	275	275	130	130	120	120	60	60	30	30	25	25	435	435	205	205	190	190	1100	1925	515	905	475	830	1535	2360	720	1110	665	1020	<p><b>Wavelength</b></p> 																								
CCT	Ra	R9	Rf	Rg																																																																																																										
RED	Dominant Wavelength 630NM																																																																																																													
GREEN	Dominant Wavelength 525NM																																																																																																													
BLUE	Dominant Wavelength 470NM																																																																																																													
RGB																																																																																																														
EQ 3000K	93	66	92	101																																																																																																										
RGB + 3000K																																																																																																														
LED tape   W/m		OPX diffuser   W/m		Prisma diffuser   W/m																																																																																																										
12 + 9.6	24 + 9.6	12 + 9.6	24 + 9.6	12 + 9.6	24 + 9.6																																																																																																									
100	100	45	45	45	45																																																																																																									
275	275	130	130	120	120																																																																																																									
60	60	30	30	25	25																																																																																																									
435	435	205	205	190	190																																																																																																									
1100	1925	515	905	475	830																																																																																																									
1535	2360	720	1110	665	1020																																																																																																									
 <p><b>3-STEP</b> CCT Binning</p> 	<p><b>Colour Rendering</b></p> <table border="1"> <thead> <tr> <th>CCT</th> <th>Ra</th> <th>R9</th> <th>Rf</th> <th>Rg</th> </tr> </thead> <tbody> <tr> <td>3000K</td> <td>95</td> <td>70</td> <td>92</td> <td>101</td> </tr> <tr> <td>1800K</td> <td>95</td> <td>70</td> <td>82</td> <td>80</td> </tr> <tr> <td>3000K+1800K</td> <td>95</td> <td>80</td> <td>93</td> <td>103</td> </tr> <tr> <td>4000K</td> <td>95</td> <td>70</td> <td>91</td> <td>100</td> </tr> <tr> <td>2200K</td> <td>93</td> <td>60</td> <td>92</td> <td>103</td> </tr> <tr> <td>4000K+2200K</td> <td>95</td> <td>80</td> <td>93</td> <td>102</td> </tr> </tbody> </table>	CCT	Ra	R9	Rf	Rg	3000K	95	70	92	101	1800K	95	70	82	80	3000K+1800K	95	80	93	103	4000K	95	70	91	100	2200K	93	60	92	103	4000K+2200K	95	80	93	102	<p><b>Lumen Output   lm/m</b></p> <table border="1"> <thead> <tr> <th colspan="2">LED tape   W/m</th> <th colspan="2">OPX diffuser   W/m</th> <th colspan="2">Prisma diffuser   W/m</th> </tr> <tr> <th>12+12</th> <th>12+12</th> <th>12+12</th> <th>12+12</th> <th>12+12</th> <th>12+12</th> </tr> </thead> <tbody> <tr> <td>1180</td> <td>555</td> <td>510</td> <td>770</td> <td>345</td> <td>330</td> </tr> <tr> <td>TOTAL 1910</td> <td>TOTAL 900</td> <td>TOTAL 840</td> <td>1230</td> <td>580</td> <td>530</td> </tr> <tr> <td>980</td> <td>460</td> <td>420</td> <td>TOTAL 2210</td> <td>TOTAL 1040</td> <td>TOTAL 950</td> </tr> </tbody> </table>	LED tape   W/m		OPX diffuser   W/m		Prisma diffuser   W/m		12+12	12+12	12+12	12+12	12+12	12+12	1180	555	510	770	345	330	TOTAL 1910	TOTAL 900	TOTAL 840	1230	580	530	980	460	420	TOTAL 2210	TOTAL 1040	TOTAL 950	<p><b>TM30</b></p> 																																										
CCT	Ra	R9	Rf	Rg																																																																																																										
3000K	95	70	92	101																																																																																																										
1800K	95	70	82	80																																																																																																										
3000K+1800K	95	80	93	103																																																																																																										
4000K	95	70	91	100																																																																																																										
2200K	93	60	92	103																																																																																																										
4000K+2200K	95	80	93	102																																																																																																										
LED tape   W/m		OPX diffuser   W/m		Prisma diffuser   W/m																																																																																																										
12+12	12+12	12+12	12+12	12+12	12+12																																																																																																									
1180	555	510	770	345	330																																																																																																									
TOTAL 1910	TOTAL 900	TOTAL 840	1230	580	530																																																																																																									
980	460	420	TOTAL 2210	TOTAL 1040	TOTAL 950																																																																																																									
 <p><b>3-STEP</b> CCT Binning</p> 	<p><b>Colour Rendering</b></p> <table border="1"> <thead> <tr> <th>CCT</th> <th>Ra</th> <th>R9</th> <th>Rf</th> <th>Rg</th> </tr> </thead> <tbody> <tr> <td>10%</td> <td>88</td> <td>85</td> <td>77</td> <td>115</td> </tr> <tr> <td>50%</td> <td>95</td> <td>88</td> <td>88</td> <td>109</td> </tr> <tr> <td>3000K</td> <td>95</td> <td>74</td> <td>93</td> <td>102</td> </tr> </tbody> </table>	CCT	Ra	R9	Rf	Rg	10%	88	85	77	115	50%	95	88	88	109	3000K	95	74	93	102	<p><b>Lumen Output   lm/m</b></p> <table border="1"> <thead> <tr> <th colspan="2">LED tape   W/m</th> <th colspan="2">OPX diffuser   W/m</th> <th colspan="2">Prisma diffuser   W/m</th> </tr> <tr> <th>9.6</th> <th>9.6</th> <th>9.6</th> <th>9.6</th> <th>9.6</th> <th>9.6</th> </tr> </thead> <tbody> <tr> <td>60</td> <td>20</td> <td>20</td> <td>320</td> <td>150</td> <td>140</td> </tr> <tr> <td>890</td> <td>420</td> <td>385</td> <td></td> <td></td> <td></td> </tr> </tbody> </table>	LED tape   W/m		OPX diffuser   W/m		Prisma diffuser   W/m		9.6	9.6	9.6	9.6	9.6	9.6	60	20	20	320	150	140	890	420	385				<p><b>Dimming curve</b></p> 																																																															
CCT	Ra	R9	Rf	Rg																																																																																																										
10%	88	85	77	115																																																																																																										
50%	95	88	88	109																																																																																																										
3000K	95	74	93	102																																																																																																										
LED tape   W/m		OPX diffuser   W/m		Prisma diffuser   W/m																																																																																																										
9.6	9.6	9.6	9.6	9.6	9.6																																																																																																									
60	20	20	320	150	140																																																																																																									
890	420	385																																																																																																												

Performance data can vary according to factors such as, but not limited to, temperature, manufacturing tolerances and batch.

## ACCESSORIES



CEILING PLATE



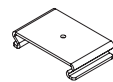
V36P-M\_300-R1

DROP WIRE



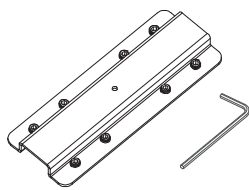
V36P-MA332/6-R1

WIRE MOUNT



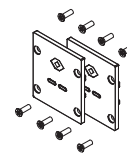
V36P-MA310-R1

LINEAR JOINER



V36P-MA320-R1

END CAP PAIR



V36S-M\_202-R1

• **F** - Black / **E** - White / **B** - Silver

## SINGLE CHANNEL CONTROL GEAR

CONSTANT VOLTAGE	IP Rating	35W	60W	100W	120W	150W	240/250W
DALI	IP20	P24-035-DAL-R03	P24-060-DAL-R03	P24-100-DAL-R03		P24-150-DAL-R03	
WIRELESS	IP20	P24-035-WRS-R01	P24-060-WRS-R01	P24-100-WRS-R01		P24-150-WRS-R01	
		CBU-ASD Casambi Interface*					
ANALOGUE 0-10V	IP66			P24-100-D10-R03			P24-250-D10-R03
NON-DIM (SWITCHED) <i>not for WarmDIM</i>	IP20		P24-060-SWI-IP20		P24-120-SWI-IP20		
	IP67					P24-150-SWI-IP67	P24-240-SWI-IP67

\*Interface requires 24VDC supply from DALI dim driver: P24-xxx-DAL-xx

\*Interface requires 24VDC supply from 0/1-10V dim driver: P24-xxx-D10-xx

## MULTI-CHANNEL CONTROL GEAR

CONSTANT VOLTAGE	IP Rating	RGB	RGBW	ColorTUNE
DMX	IP20	LIN100A Driver 100W	LIN100A Driver 100W	LIN180D Interface* 144W
		LIN180D Interface* 144W	LIN180D Interface* 144W	
DALI	IP20	LIN100A Driver 100W	LIN100A Driver 100W	LN200D-D2Z2C2 Interface* 192W
WIRELESS	IP20	CBU-PWM4 Casambi Interface** 144W		
ANALOGUE 0-10V	IP20			LM-100-24-G2A2 Interface* 100W

\*\*Interface requires 24VDC supply from non-dim driver: P24-xxx-SWI-xx

## APPLICATIONS



## APPLICATION NOTES

### Single or System

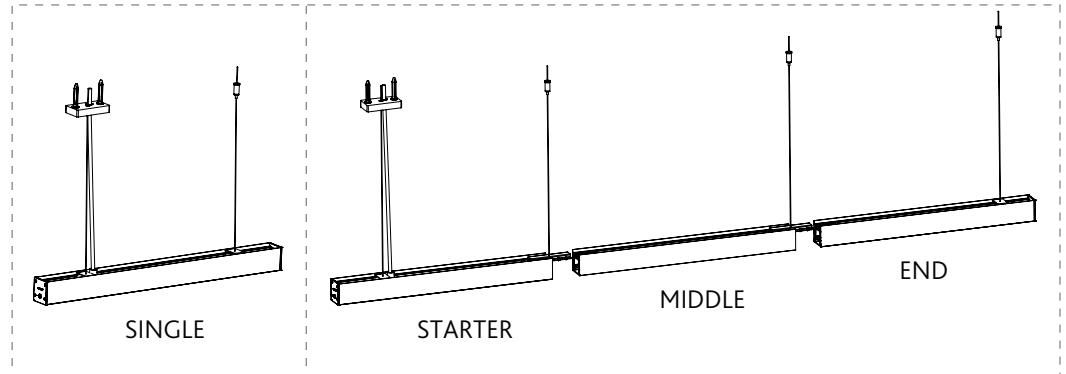
Specify single pieces or a continuous system of any length using Starter and End pieces with multiple Middle pieces.

### Continuous System

The maximum length of a continuous run from one power feed is 12m (subject to W/m rating).

Longer lengths are possible by linking runs together mechanically using linear-joiners.

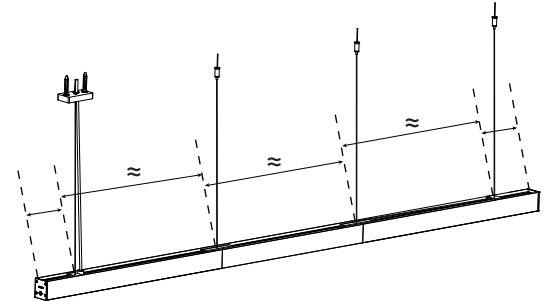
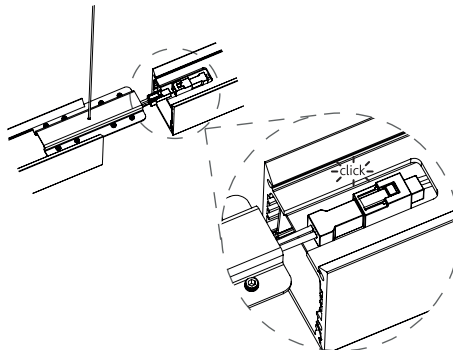
## V36P SUSPENSION - PROFILE TYPES



## JOINING PROFILES: STARTER - MIDDLE - END

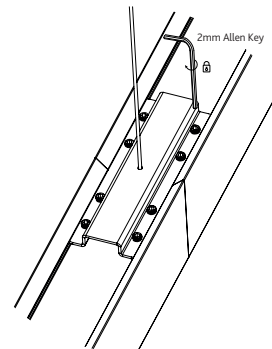
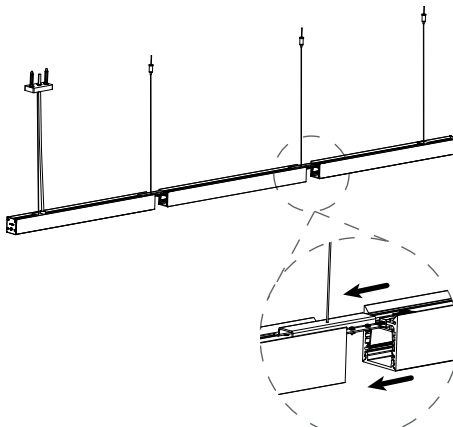
1. Click and connect the cables from each profile end.

3. Space wire mounts and linear joiners evenly



2. Slide profile into linear joiner.

4. Make sure all grub screws for fixing profile are fully tightened.



## TOLERANCES

Total Luminous Flux  $\pm 10\%$

Correlated Colour Temperature  $\pm 100\text{K}$

Colour Rendering Index  $\pm 2$

Power  $\pm 5\%$

Contact LUMINO for details of RAL colour and anodising tolerances.

## OPERATING ENVIRONMENT

Maximum Case Temperature ( $T_c$ ):  $70^\circ\text{C}$

Rated Ambient Temperature ( $T_a$ ):  $25^\circ\text{C}$

Ingress Protection rating IP20

## STANDARDS

BS EN 60598-1:2021 (Clause 4.14)

BS EN 60598-1:2015, AMD1:2018 (Clause 12.4)

BS EN 60598-2-1:1979, AMD1:1987 used in conjunction with BS EN 60598-1:2015

BS EN 62031:2008, AMD1:2012, AMD2:2015

*\*WARRANTY: Five Year Warranty subject to project registration and warranty terms and conditions.*

*All Rights reserved: LUMINO Distribution Ltd assumes no responsibility for any errors, which may appear in this manual. Furthermore, LUMINO Distribution Ltd reserves the right to alter the hardware, software and specifications detailed herein at any time without notice and LUMINO Distribution Ltd does not make any commitment to update information contained herein. All the trademarks listed herein are owned by their respective owners. Copyright LUMINO Distribution Ltd. E&OE.*

LUMINO Distribution Ltd  
Lumino House, Lovet Rd, Harlow, Essex CM19 5TB UK

+44 (0) 1279 635411 info@lumino.lighting

Authorised EU Representative: LDL Lighting Europe Limited  
The Black Church, St Mary's Place, Dublin D07 P4AX Ireland

