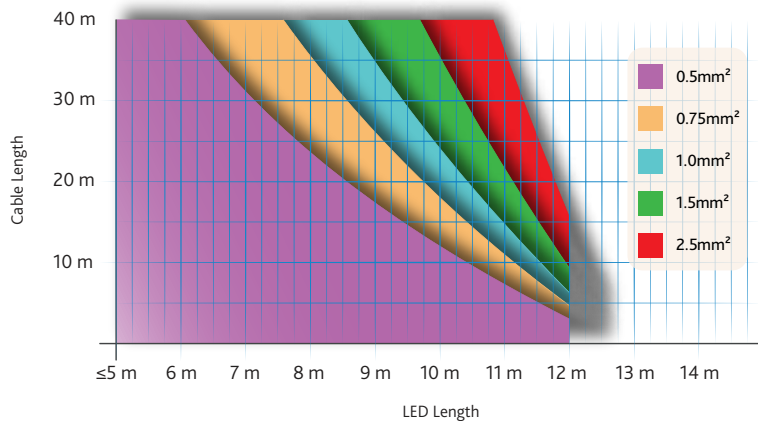


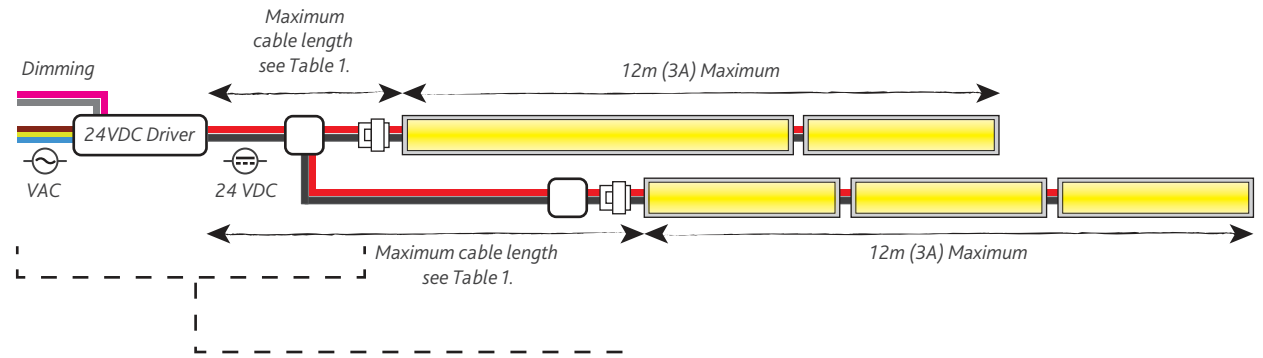
Maximum Cable Length Table 1.

LED LENGTH	CURRENT	0.5mm <sup>2</sup>	0.75mm <sup>2</sup>	1mm <sup>2</sup>	1.5mm <sup>2</sup>	2.5mm <sup>2</sup>
< 6 m	< 1.50 A					
6 m	1.50 A	40 m				
6.5 m	1.63 A	35.5 m				
7 m	1.75 A	31.25 m				
7.5 m	1.88 A	27.25 m	40 m			
8 m	2.00 A	23.5 m	35.5 m			
8.5 m	2.13 A	20.25 m	30.5 m	40 m		
9 m	2.25 A	17.25 m	26 m	34.75 m		
9.5 m	2.38 A	14.5 m	21.75 m	29.25 m	40 m	
10 m	2.50 A	12 m	18 m	24 m	35.25 m	
10.5 m	2.63 A	9.5 m	14.25 m	19.25 m	28.25 m	40 m
11 m	2.75 A	7.25 m	11 m	14.75 m	21.5 m	36 m
11.5 m	2.88 A	5 m	7.75 m	10.25 m	15.25 m	25.5 m
12 m	3.00 A	3 m	4.75 m	6.25 m	9.25 m	15.5 m

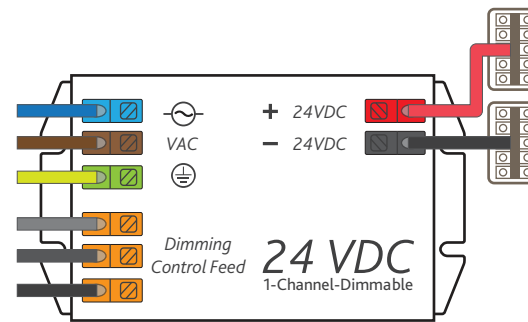
40 m max.



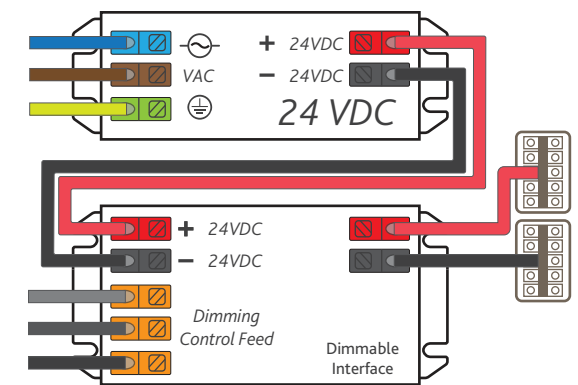
Wiring Diagram



Dimmable Driver Wiring



Driver + Dimming Interface Wiring



IM-6Wm\_ColorCORE\_EQ\_R2101

For further help regarding installation visit [lumino.lighting](http://lumino.lighting)

**⚠** Cable lengths are based on average resistance for typical copper cables. Cable characteristics may vary according to manufacturer, temperature, copper purity, connections etc.

Use 24VDC drivers with overload and short-circuit protection. Use reputable driver manufacturers with appropriate standards for the local requirements.

USA & Canada:  
Use only with Class 2 power unit to UL1310 standard. Use only with maximum output 24VDC voltage Class 2 power unit.

**⚠** Maximum cable lengths shown above are calculated for voltage drop and do not consider EMI. Long cables can potentially emit EMI. Do not exceed the maximum cable length stated by the driver manufacturer. Installers must ensure EMI emissions do not exceed local regulated limits.

Shielded cables and ferrite coils can be used where applicable.

Installers must ensure voltage drop does not exceed 5%.

Driver protection circuitry must not be relied upon to protect secondary 24VDC electrical circuits from damage caused by overcurrent or short circuit. DC fuses or DC electronic circuit breakers are recommended to provide additional protection.

Constant voltage LED drivers can have high inrush current at power-on. Driver inrush current can be many times the normal operating current.

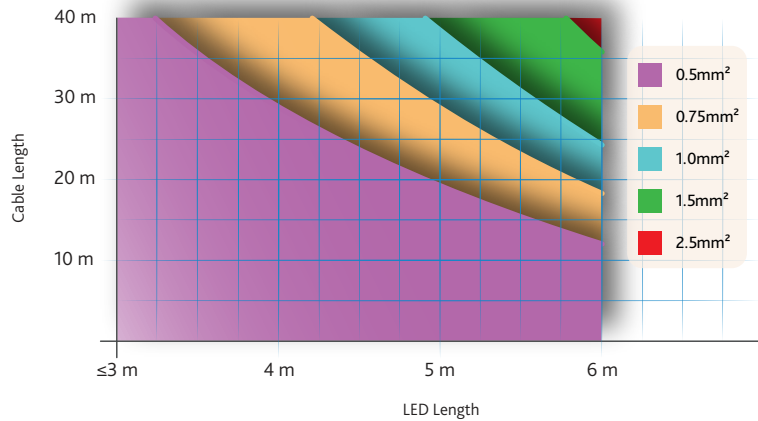
Use a suitable MCB. Type C MCBs are normally suitable but if inrush current is a persistent problem an inrush suppressor may be required.

- Installation must be carried out by qualified electrician.
- Electrical work to be conducted in accordance with local regulations.
- Power must be disconnected prior to installation work.
- Ensure free-moving air space around LEDs and drivers.
- Protect the LEDs from dust and paint during installation and use.
- Plan for loads, driver locations, cables sizes etc prior to installation.
- Shielded control pair required for dimming signal wires.
- Incorrect voltage, reverse polarity or short circuit will cause damage.

Maximum Cable Length Table 1.

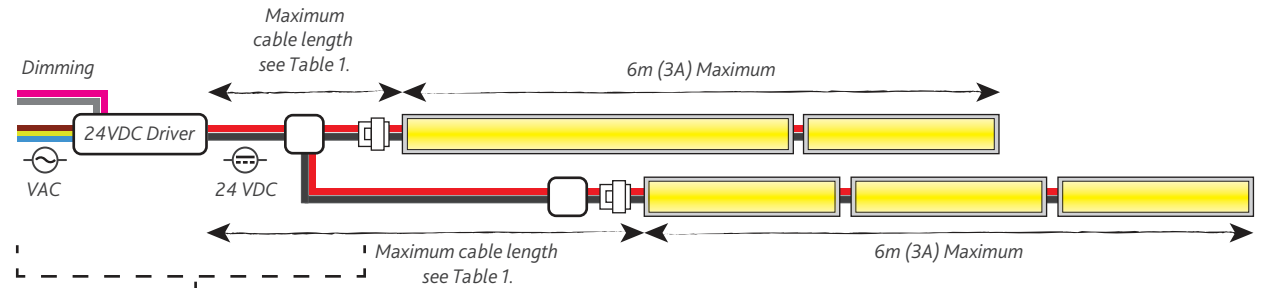
LED LENGTH	CURRENT	0.5mm <sup>2</sup>	0.75mm <sup>2</sup>	1mm <sup>2</sup>	1.5mm <sup>2</sup>	2.5mm <sup>2</sup>
< 3 m	< 1.50 A					
3 m	1.50 A	40 m				
3.5 m	1.75 A	35.5 m				
4 m	2.00 A	29 m	40 m			
4.5 m	2.25 A	23.5 m	35.5 m	40 m		
5 m	2.50 A	19.25 m	28.75 m	38.5 m		
5.5 m	2.75 A	15.5 m	23.25 m	31 m	40 m	
6 m	3.00 A	12 m	18.25 m	24.25 m	35.75 m	

40 m max.

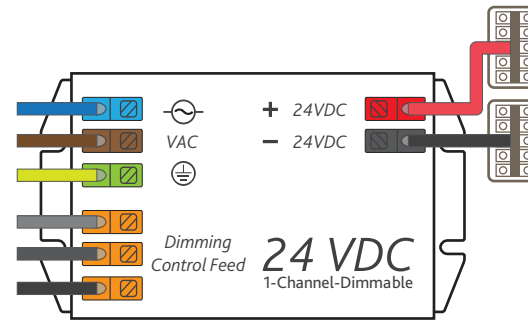


**!** Cable lengths are based on average resistance for typical copper cables. Cable characteristics may vary according to manufacturer, temperature, copper purity, connections etc.

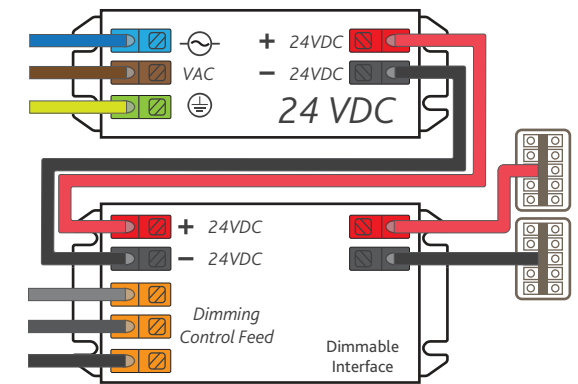
Wiring Diagram



Dimmable Driver Wiring



Driver + Dimming Interface Wiring



Use 24VDC drivers with overload and short-circuit protection. Use reputable driver manufacturers with appropriate standards for the local requirements.

USA & Canada:  
Use only with Class 2 power unit to UL1310 standard. Use only with maximum output 24VDC voltage Class 2 power unit.

**!** Maximum cable lengths shown above are calculated for voltage drop and do not consider **EMI**. Long cables can potentially emit **EMI**. Do not exceed the maximum cable length stated by the driver manufacturer. Installers must ensure **EMI** emissions do not exceed local regulated limits.

Shielded cables and ferrite coils can be used where applicable.

Installers must ensure voltage drop does not exceed 5%.

Driver protection circuitry must not be relied upon to protect secondary 24VDC electrical circuits from damage caused by overcurrent or short circuit. DC fuses or DC electronic circuit breakers are recommended to provide additional protection.

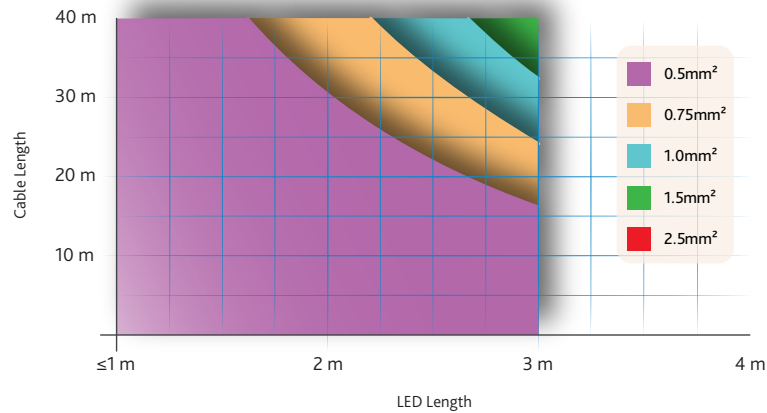
Constant voltage LED drivers can have high inrush current at power-on. Driver inrush current can be many times the normal operating current.

Use a suitable MCB. Type C MCBs are normally suitable but if inrush current is a persistent problem an inrush suppressor may be required.

- Installation must be carried out by qualified electrician.
- Electrical work to be conducted in accordance with local regulations.
- Power must be disconnected prior to installation work.
- Ensure free-moving air space around LEDs and drivers.
- Protect the LEDs from dust and paint during installation and use.
- Plan for loads, driver locations, cables sizes etc prior to installation.
- Shielded control pair required for dimming signal wires.
- Incorrect voltage, reverse polarity or short circuit will cause damage.

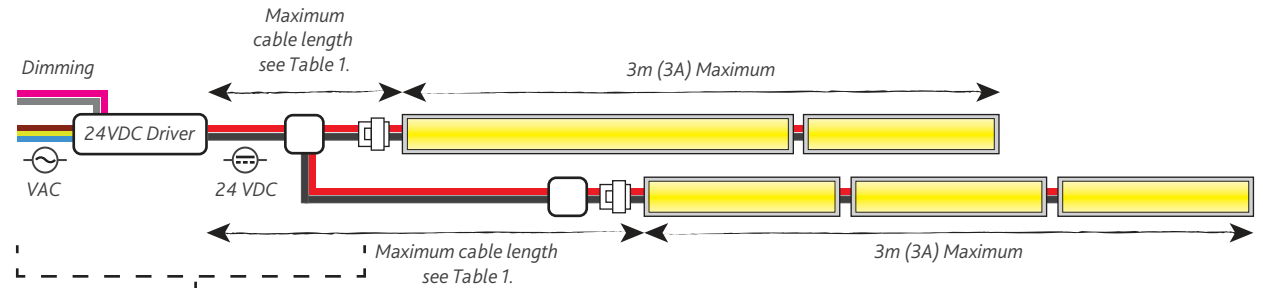
Maximum Cable Length Table 1.

LED LENGTH	CURRENT	0.5mm <sup>2</sup>	0.75mm <sup>2</sup>	1mm <sup>2</sup>	1.5mm <sup>2</sup>	2.5mm <sup>2</sup>			
<1.5 m	< 1.5 A	<b>40 m max.</b>							
1.5 m	1.5 A						40 m		
2 m	2 A						30.5 m	40 m	
2.5 m	2.5 A						22 m	33.25 m	40 m
3 m	3 A						16.25 m	24.25 m	32.5 m

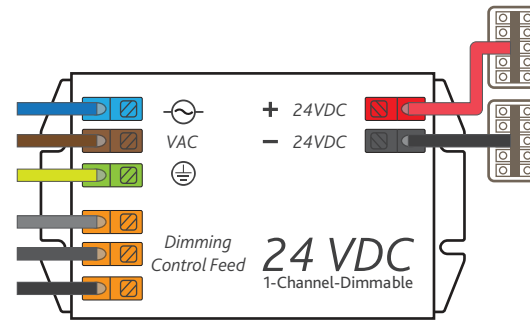


**!** Cable lengths are based on average resistance for typical copper cables. Cable characteristics may vary according to manufacturer, temperature, copper purity, connections etc.

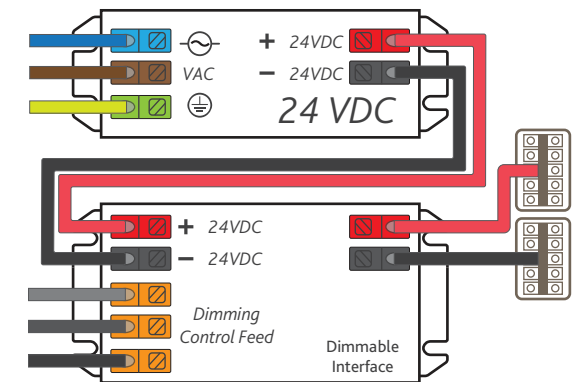
Wiring Diagram



Dimmable Driver Wiring



Driver + Dimming Interface Wiring



Use 24VDC drivers with overload and short-circuit protection. Use reputable driver manufacturers with appropriate standards for the local requirements.

USA & Canada:  
Use only with Class 2 power unit to UL1310 standard. Use only with maximum output 24VDC voltage Class 2 power unit.

**!** Maximum cable lengths shown above are calculated for voltage drop and do not consider **EMI**. Long cables can potentially emit **EMI**. Do not exceed the maximum cable length stated by the driver manufacturer. Installers must ensure **EMI** emissions do not exceed local regulated limits.

Shielded cables and ferrite coils can be used where applicable.

Installers must ensure voltage drop does not exceed 5%.

Driver protection circuitry must not be relied upon to protect secondary 24VDC electrical circuits from damage caused by overcurrent or short circuit. DC fuses or DC electronic circuit breakers are recommended to provide additional protection.

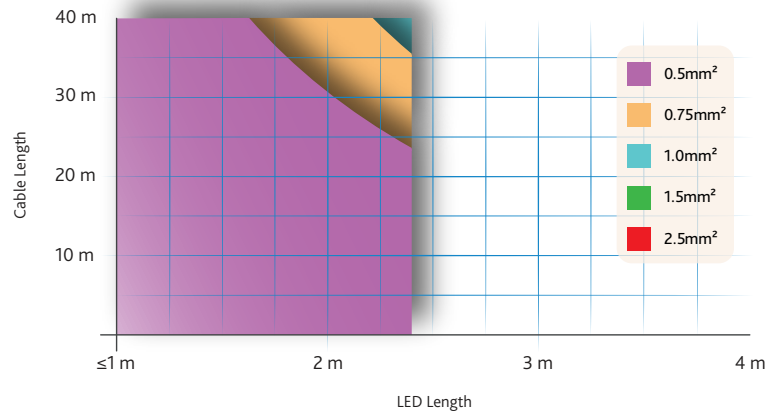
Constant voltage LED drivers can have high inrush current at power-on. Driver inrush current can be many times the normal operating current.

Use a suitable MCB. Type C MCBs are normally suitable but if inrush current is a persistent problem an inrush suppressor may be required.

- Installation must be carried out by qualified electrician.
- Electrical work to be conducted in accordance with local regulations.
- Power must be disconnected prior to installation work.
- Ensure free-moving air space around LEDs and drivers.
- Protect the LEDs from dust and paint during installation and use.
- Plan for loads, driver locations, cables sizes etc prior to installation.
- Shielded control pair required for dimming signal wires.
- Incorrect voltage, reverse polarity or short circuit will cause damage.

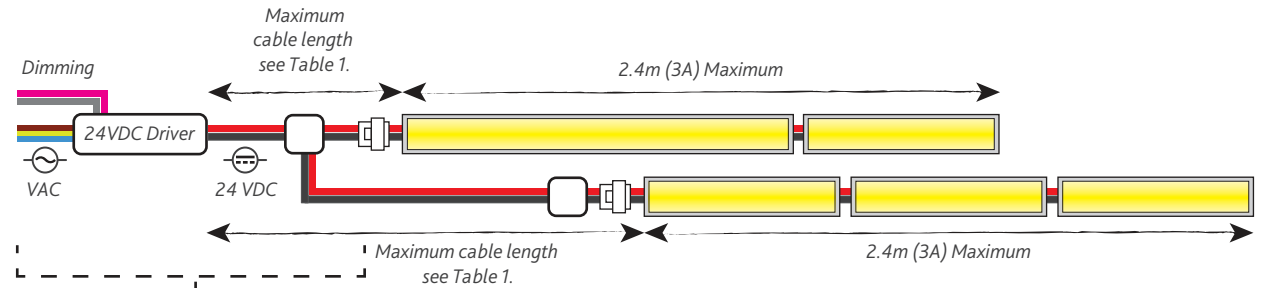
Maximum Cable Length Table 1.

LED LENGTH	CURRENT	0.5mm <sup>2</sup>	0.75mm <sup>2</sup>	1mm <sup>2</sup>	1.5mm <sup>2</sup>	2.5mm <sup>2</sup>			
<1 m	< 0.63 A	<b>40 m max.</b>							
1 m	1.25 A						40 m		
1.5 m	1.88 A						33.5 m	40 m	
2 m	2.5 A						22.25 m	33.5 m	40 m
2.4 m	3 A						16.5 m	24.75 m	33.25 m

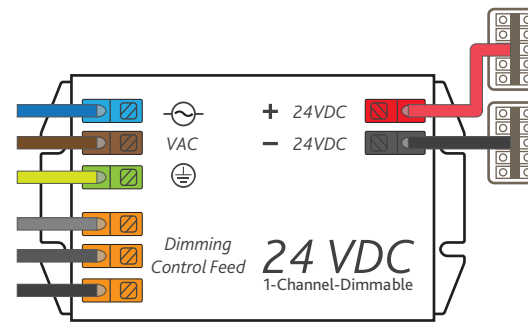


**!** Cable lengths are based on average resistance for typical copper cables. Cable characteristics may vary according to manufacturer, temperature, copper purity, connections etc.

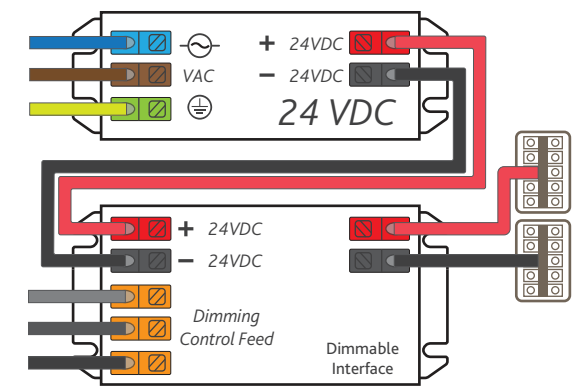
Wiring Diagram



Dimmable Driver Wiring



Driver + Dimming Interface Wiring



Use 24VDC drivers with overload and short-circuit protection. Use reputable driver manufacturers with appropriate standards for the local requirements.

USA & Canada:  
Use only with Class 2 power unit to UL1310 standard. Use only with maximum output 24VDC voltage Class 2 power unit.

**!** Maximum cable lengths shown above are calculated for voltage drop and do not consider **EMI**. Long cables can potentially emit **EMI**. Do not exceed the maximum cable length stated by the driver manufacturer. Installers must ensure **EMI** emissions do not exceed local regulated limits.

Shielded cables and ferrite coils can be used where applicable.

Installers must ensure voltage drop does not exceed 5%.

Driver protection circuitry must not be relied upon to protect secondary 24VDC electrical circuits from damage caused by overcurrent or short circuit. DC fuses or DC electronic circuit breakers are recommended to provide additional protection.

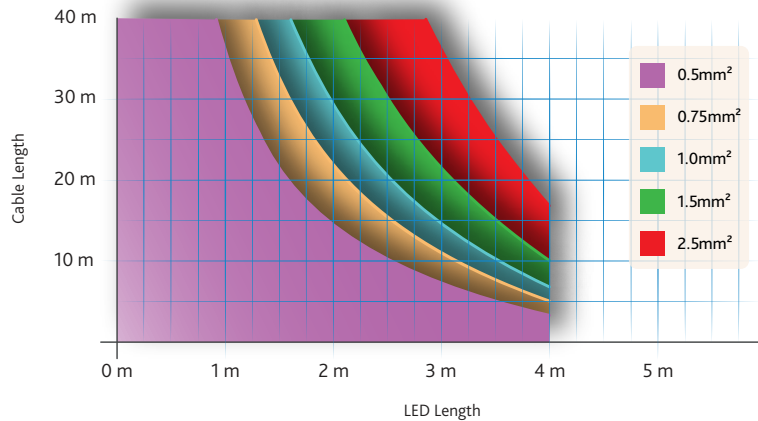
Constant voltage LED drivers can have high inrush current at power-on. Driver inrush current can be many times the normal operating current.

Use a suitable MCB. Type C MCBs are normally suitable but if inrush current is a persistent problem an inrush suppressor may be required.

- Installation must be carried out by qualified electrician.
- Electrical work to be conducted in accordance with local regulations.
- Power must be disconnected prior to installation work.
- Ensure free-moving air space around LEDs and drivers.
- Protect the LEDs from dust and paint during installation and use.
- Plan for loads, driver locations, cables sizes etc prior to installation.
- Shielded control pair required for dimming signal wires.
- Incorrect voltage, reverse polarity or short circuit will cause damage.

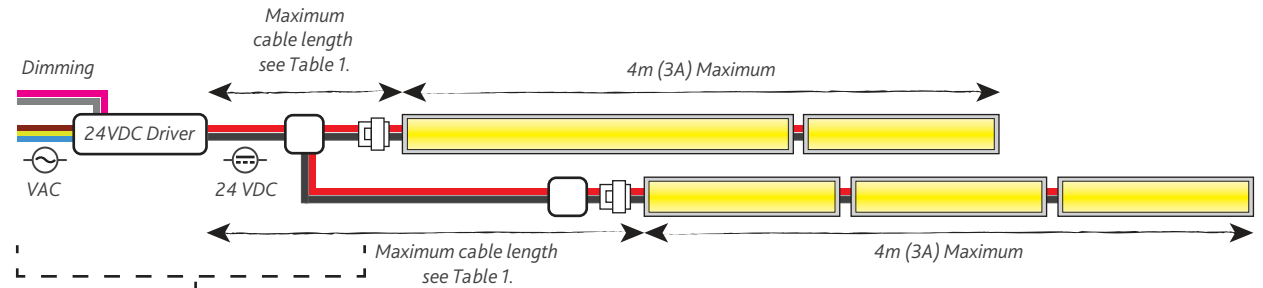
Maximum Cable Length Table 1.

LED LENGTH	CURRENT	0.5mm <sup>2</sup>	0.75mm <sup>2</sup>	1mm <sup>2</sup>	1.5mm <sup>2</sup>	2.5mm <sup>2</sup>
< 0.5 m	< 0.2 A					
0.5 m	0.2 A	40 m				
1 m	0.4 A	36.5 m	40 m			
1.5 m	0.6 A	21.75 m	32.75 m	40 m		
2 m	0.8 A	14.5 m	22 m	29.25 m	40 m	
2.5 m	1 A	10.25 m	15.5 m	20.75 m	30.25 m	40 m
3 m	1.2 A	7.25 m	11 m	14.75 m	21.75 m	36.25 m
3.5 m	1.4 A	5 m	7.75 m	10.25 m	15.25 m	25.25 m
4 m	1.6 A	3.25 m	5 m	6.75 m	10 m	16.75 m

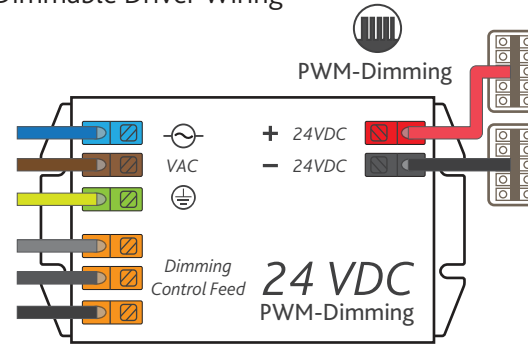


**!** Cable lengths are based on average resistance for typical copper cables. Cable characteristics may vary according to manufacturer, temperature, copper purity, connections etc.

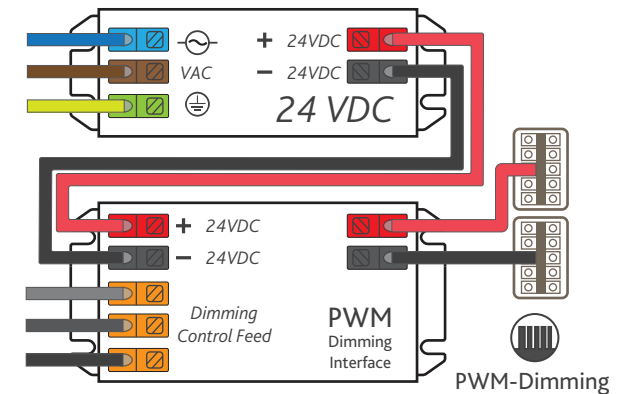
Wiring Diagram



Dimmable Driver Wiring



Driver + Dimming Interface Wiring



Use 24VDC drivers with overload and short-circuit protection. Use reputable driver manufacturers with appropriate standards for the local requirements.

USA & Canada:  
Use only with Class 2 power unit to UL1310 standard. Use only with maximum output 24VDC voltage Class 2 power unit.

**!** Maximum cable lengths shown above are calculated for voltage drop and do not consider **EMI**. Long cables can potentially emit **EMI**. Do not exceed the maximum cable length stated by the driver manufacturer. Installers must ensure **EMI** emissions do not exceed local regulated limits.

Shielded cables and ferrite coils can be used where applicable.

Installers must ensure voltage drop does not exceed 5%.

Driver protection circuitry must not be relied upon to protect secondary 24VDC electrical circuits from damage caused by overcurrent or short circuit. DC fuses or DC electronic circuit breakers are recommended to provide additional protection.

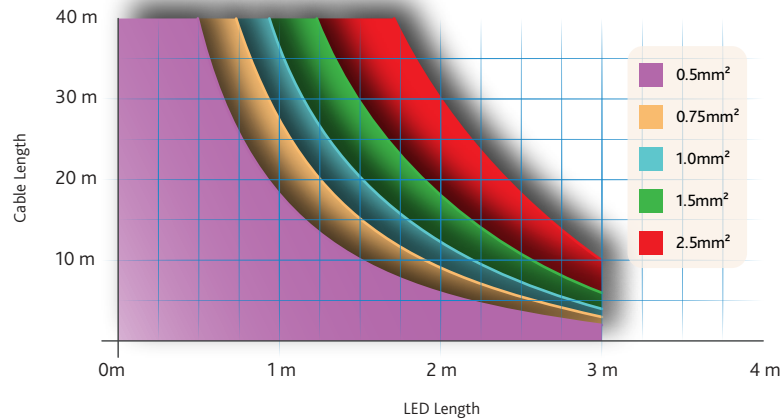
Constant voltage LED drivers can have high inrush current at power-on. Driver inrush current can be many times the normal operating current.

Use a suitable MCB. Type C MCBs are normally suitable but if inrush current is a persistent problem an inrush suppressor may be required.

- Installation must be carried out by qualified electrician.
- Electrical work to be conducted in accordance with local regulations.
- Power must be disconnected prior to installation work.
- Ensure free-moving air space around LEDs and drivers.
- Protect the LEDs from dust and paint during installation and use.
- Plan for loads, driver locations, cables sizes etc prior to installation.
- Shielded control pair required for dimming signal wires.
- Incorrect voltage, reverse polarity or short circuit will cause damage.

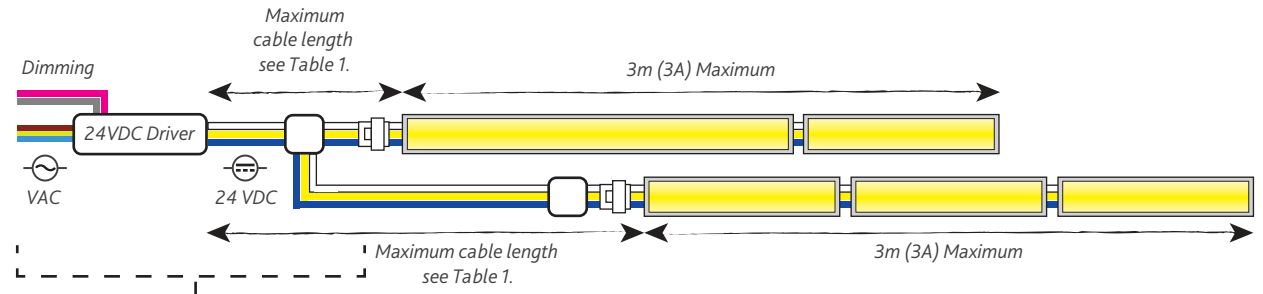
Maximum Cable Length Table 1.

LED LENGTH	CURRENT	0.5mm <sup>2</sup>	0.75mm <sup>2</sup>	1mm <sup>2</sup>	1.5mm <sup>2</sup>	2.5mm <sup>2</sup>					
<0.5 m	< 0.5 A	<b>40 m max.</b>									
0.5 m	0.5 A						40 m	40 m	40 m		
1 m	1 A						18.25 m	27.5 m	36.75 m	40 m	
1.5 m	1.5 A						10 m	15.25 m	20.25 m	29.75 m	40 m
2 m	2 A						6 m	9.25 m	12.25 m	18 m	30 m
2.5 m	2.5 A						3.75 m	5.5 m	7.5 m	11 m	18.25 m
3 m	3 A						2 m	3 m	4 m	6 m	10 m

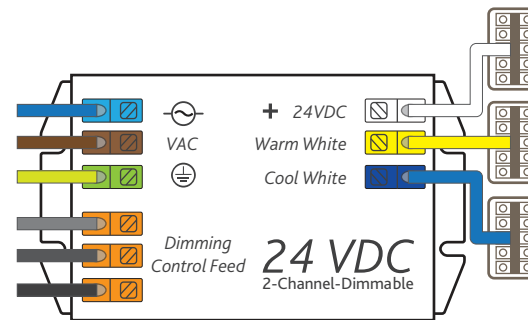


**!** Cable lengths are based on average resistance for typical copper cables. Cable characteristics may vary according to manufacturer, temperature, copper purity, connections etc.

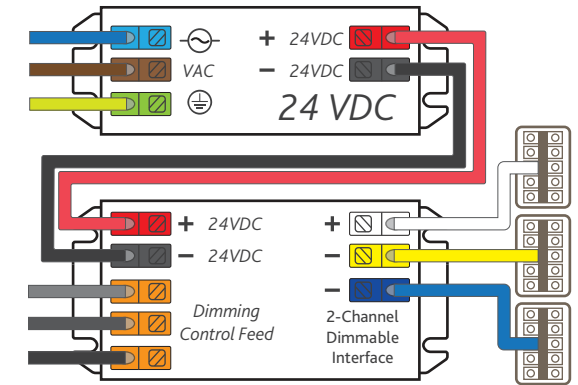
Wiring Diagram



Dimmable Driver Wiring



Driver + Dimming Interface Wiring



Use 24VDC drivers with overload and short-circuit protection. Use reputable driver manufacturers with appropriate standards for the local requirements.

USA & Canada:  
Use only with Class 2 power unit to UL1310 standard. Use only with maximum output 24VDC voltage Class 2 power unit.

**!** Maximum cable lengths shown above are calculated for voltage drop and do not consider **EMI**. Long cables can potentially emit **EMI**. Do not exceed the maximum cable length stated by the driver manufacturer. Installers must ensure **EMI** emissions do not exceed local regulated limits.

Shielded cables and ferrite coils can be used where applicable.

Installers must ensure voltage drop does not exceed 5%.

Driver protection circuitry must not be relied upon to protect secondary 24VDC electrical circuits from damage caused by overcurrent or short circuit. DC fuses or DC electronic circuit breakers are recommended to provide additional protection.

Constant voltage LED drivers can have high inrush current at power-on. Driver inrush current can be many times the normal operating current.

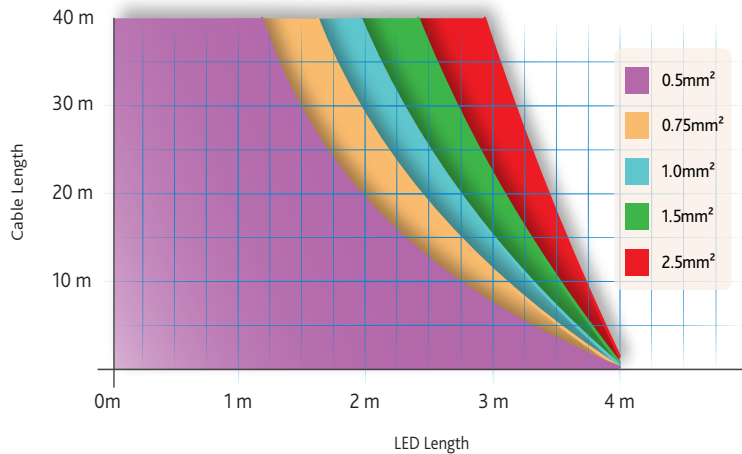
Use a suitable MCB. Type C MCBs are normally suitable but if inrush current is a persistent problem an inrush suppressor may be required.

- Installation must be carried out by qualified electrician.
- Electrical work to be conducted in accordance with local regulations.
- Power must be disconnected prior to installation work.
- Ensure free-moving air space around LEDs and drivers.
- Protect the LEDs from dust and paint during installation and use.
- Plan for loads, driver locations, cables sizes etc prior to installation.
- Shielded control pair required for dimming signal wires.
- Incorrect voltage, reverse polarity or short circuit will cause damage.

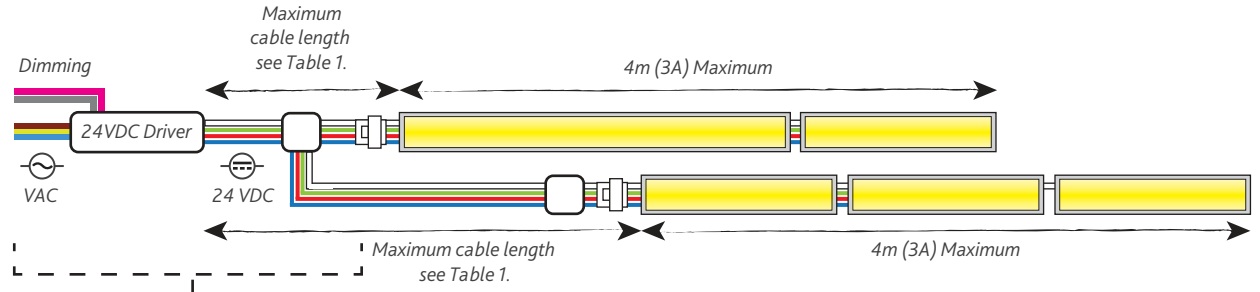


Maximum Cable Length Table 1.

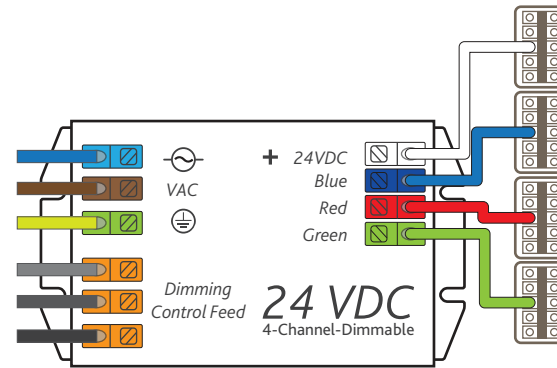
LED LENGTH	CURRENT	0.5mm <sup>2</sup>	0.75mm <sup>2</sup>	1mm <sup>2</sup>	1.5mm <sup>2</sup>	2.5mm <sup>2</sup>
<0.5 m	< 0.3 A	<b>40 m max.</b>				
0.5 m	0.3 A					
1 m	0.6 A	40 m	40 m			
1.5 m	0.9 A	29.5 m	40 m	40 m		
2 m	1.2 A	19.25 m	29 m	38.75 m	40 m	
2.5 m	1.5 A	12.5 m	18.75 m	25.25 m	37 m	40 m
3 m	1.8 A	7.5 m	11.25 m	15.25 m	22.25 m	37.25 m
3.5 m	2.1 A	3.5 m	5.5 m	7.25 m	10.75 m	18 m
4 m	2.4 A	0.25 m	0.25 m	0.5 m	0.75 m	1.5 m



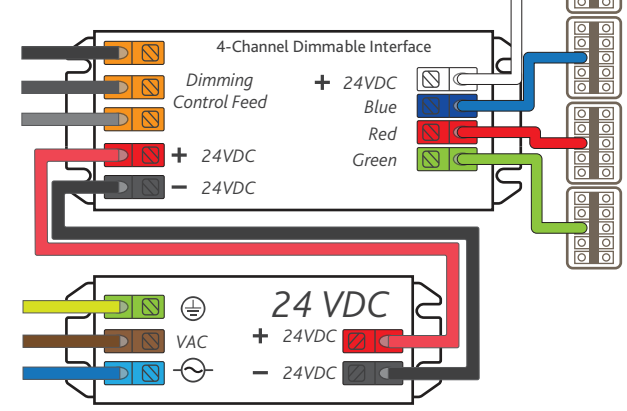
Wiring Diagram



Dimmable Driver Wiring



Driver + Dimming Interface Wiring



Cable lengths are based on average resistance for typical copper cables. Cable characteristics may vary according to manufacturer, temperature, copper purity, connections etc.

Use 24VDC drivers with overload and short-circuit protection. Use reputable driver manufacturers with appropriate standards for the local requirements.

USA & Canada:  
Use only with Class 2 power unit to UL1310 standard. Use only with maximum output 24VDC voltage Class 2 power unit.

Maximum cable lengths shown above are calculated for voltage drop and do not consider **EMI**. Long cables can potentially emit **EMI**. Do not exceed the maximum cable length stated by the driver manufacturer. Installers must ensure **EMI** emissions do not exceed local regulated limits.

Shielded cables and ferrite coils can be used where applicable.

Installers must ensure voltage drop does not exceed 5%.

Driver protection circuitry must not be relied upon to protect secondary 24VDC electrical circuits from damage caused by overcurrent or short circuit. DC fuses or DC electronic circuit breakers are recommended to provide additional protection.

Constant voltage LED drivers can have high inrush current at power-on. Driver inrush current can be many times the normal operating current.

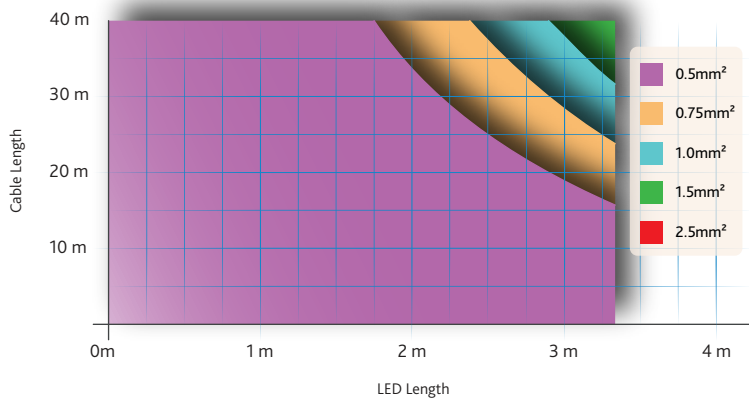
Use a suitable MCB. Type C MCBs are normally suitable but if inrush current is a persistent problem an inrush suppressor may be required.

- Installation must be carried out by qualified electrician.
- Electrical work to be conducted in accordance with local regulations.
- Power must be disconnected prior to installation work.
- Ensure free-moving air space around LEDs and drivers.
- Protect the LEDs from dust and paint during installation and use.
- Plan for loads, driver locations, cables sizes etc prior to installation.
- Shielded control pair required for dimming signal wires.
- Incorrect voltage, reverse polarity or short circuit will cause damage.

Maximum Cable Length Table 1.

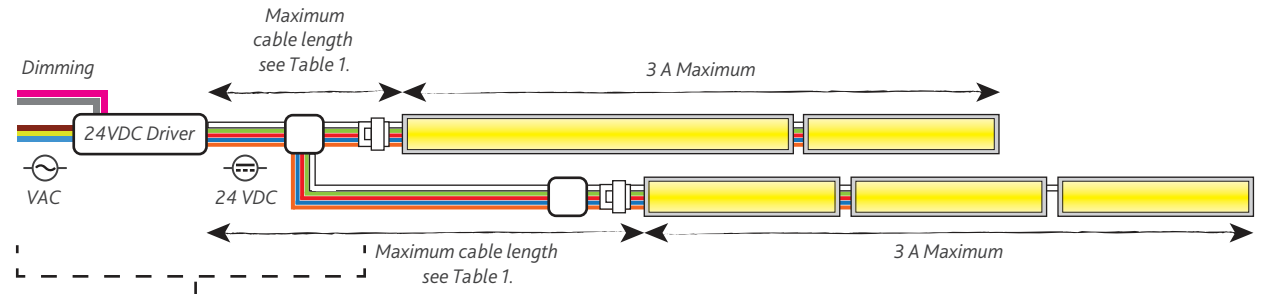
LED LENGTH	CURRENT	0.5mm <sup>2</sup>	0.75mm <sup>2</sup>	1mm <sup>2</sup>	1.5mm <sup>2</sup>	2.5mm <sup>2</sup>
<0.5 m	< 0.45 A					
0.5 m	0.45 A					
1 m	0.9 A					
1.5 m	1.35 A	40 m				
2 m	1.8 A	34 m	40 m			
2.5 m	2.25 A	25 m	38 m	40 m		
3 m	2.7 A	19 m	29 m	38 m		
3.3 m	3 A	16 m	24 m	32 m	40 m	40 m

40 m max.

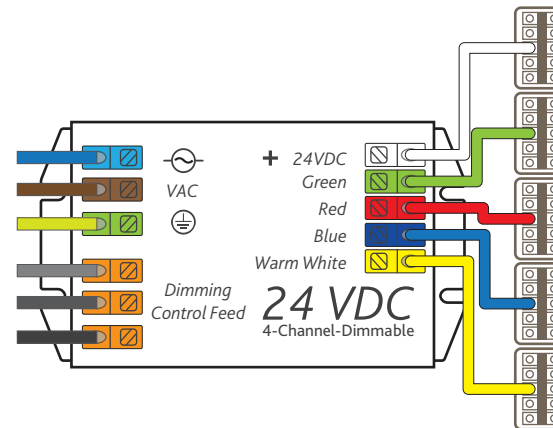


Cable lengths are based on average resistance for typical copper cables. Cable characteristics may vary according to manufacturer, temperature, copper purity, connections etc.

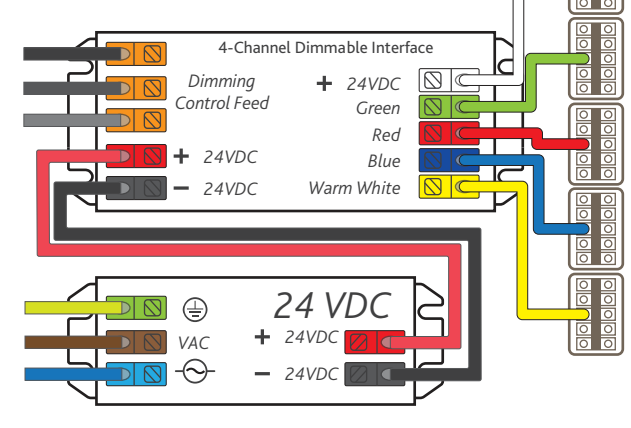
Wiring Diagram



Dimmable Driver Wiring



Driver + Dimming Interface Wiring



Use 24VDC drivers with overload and short-circuit protection. Use reputable driver manufacturers with appropriate standards for the local requirements.

USA & Canada:  
Use only with Class 2 power unit to UL1310 standard. Use only with maximum output 24VDC voltage Class 2 power unit.

Maximum cable lengths shown above are calculated for voltage drop and do not consider EMI. Long cables can potentially emit EMI. Do not exceed the maximum cable length stated by the driver manufacturer. Installers must ensure EMI emissions do not exceed local regulated limits.

Shielded cables and ferrite coils can be used where applicable.

Installers must ensure voltage drop does not exceed 5%.

Driver protection circuitry must not be relied upon to protect secondary 24VDC electrical circuits from damage caused by overcurrent or short circuit. DC fuses or DC electronic circuit breakers are recommended to provide additional protection.

Constant voltage LED drivers can have high inrush current at power-on. Driver inrush current can be many times the normal operating current.

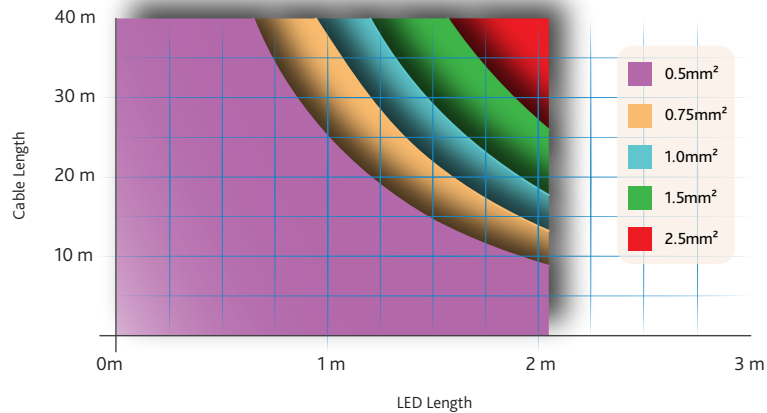
Use a suitable MCB. Type C MCBs are normally suitable but if inrush current is a persistent problem an inrush suppressor may be required.

- Installation must be carried out by qualified electrician.
- Electrical work to be conducted in accordance with local regulations.
- Power must be disconnected prior to installation work.
- Ensure free-moving air space around LEDs and drivers.
- Protect the LEDs from dust and paint during installation and use.
- Plan for loads, driver locations, cables sizes etc prior to installation.
- Shielded control pair required for dimming signal wires.
- Incorrect voltage, reverse polarity or short circuit will cause damage.



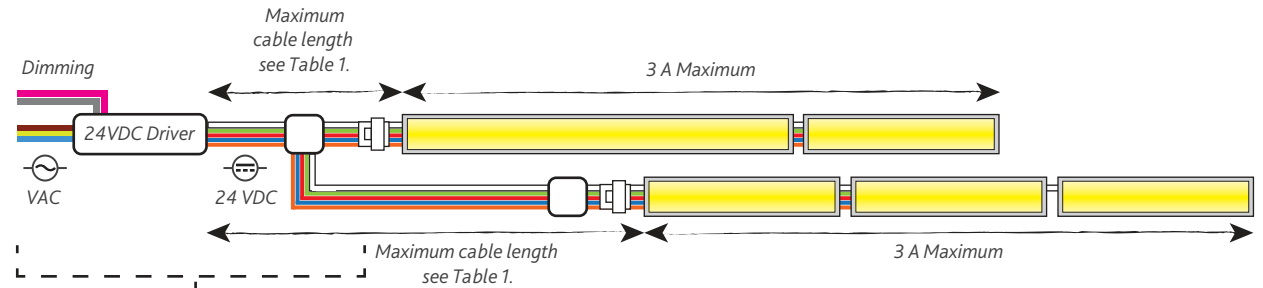
Maximum Cable Length Table 1.

LED LENGTH	CURRENT	0.5mm <sup>2</sup>	0.75mm <sup>2</sup>	1mm <sup>2</sup>	1.5mm <sup>2</sup>	2.5mm <sup>2</sup>				
<0.5 m	< 0.7 A	<b>40 m max.</b>								
0.5 m	0.7 A						40 m	40 m		
1 m	1.4 A						25 m	37.5 m	40 m	
1.5 m	2.1 A						14.5 m	21.75 m	29 m	40 m
2 m	2.8 A						9 m	13.75 m	18.25 m	27 m
2.1 m	3 A						8.25 m	12.5 m	16.75 m	24.75 m

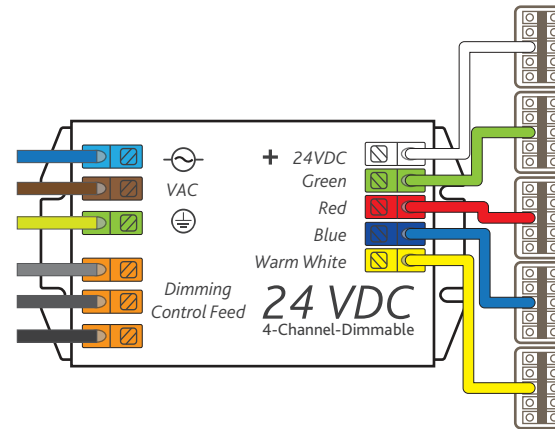


**!** Cable lengths are based on average resistance for typical copper cables. Cable characteristics may vary according to manufacturer, temperature, copper purity, connections etc.

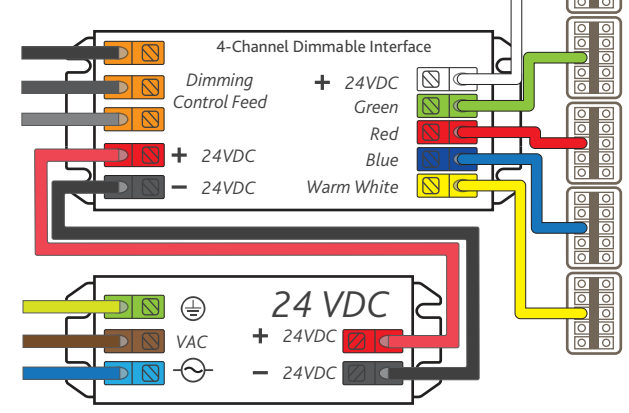
Wiring Diagram



Dimmable Driver Wiring



Driver + Dimming Interface Wiring



Use 24VDC drivers with overload and short-circuit protection. Use reputable driver manufacturers with appropriate standards for the local requirements.

USA & Canada:  
Use only with Class 2 power unit to UL1310 standard. Use only with maximum output 24VDC voltage Class 2 power unit.

**!** Maximum cable lengths shown above are calculated for voltage drop and do not consider EMI. Long cables can potentially emit EMI. Do not exceed the maximum cable length stated by the driver manufacturer. Installers must ensure EMI emissions do not exceed local regulated limits.

Shielded cables and ferrite coils can be used where applicable.

Installers must ensure voltage drop does not exceed 5%.

Driver protection circuitry must not be relied upon to protect secondary 24VDC electrical circuits from damage caused by overcurrent or short circuit. DC fuses or DC electronic circuit breakers are recommended to provide additional protection.

Constant voltage LED drivers can have high inrush current at power-on. Driver inrush current can be many times the normal operating current.

Use a suitable MCB. Type C MCBs are normally suitable but if inrush current is a persistent problem an inrush suppressor may be required.

- Installation must be carried out by qualified electrician.
- Electrical work to be conducted in accordance with local regulations.
- Power must be disconnected prior to installation work.
- Ensure free-moving air space around LEDs and drivers.
- Protect the LEDs from dust and paint during installation and use.
- Plan for loads, driver locations, cables sizes etc prior to installation.
- Shielded control pair required for dimming signal wires.
- Incorrect voltage, reverse polarity or short circuit will cause damage.