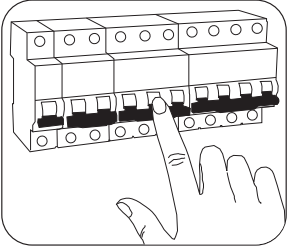
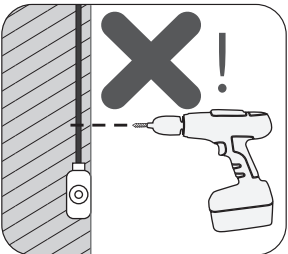


Check!

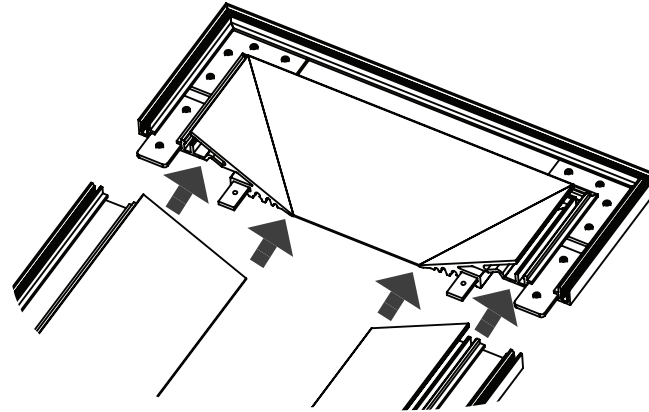


TURN OFF POWER!
COUPER LE COURANT!
STROM ABSHALTEN!
CORTE CORRIENTE!

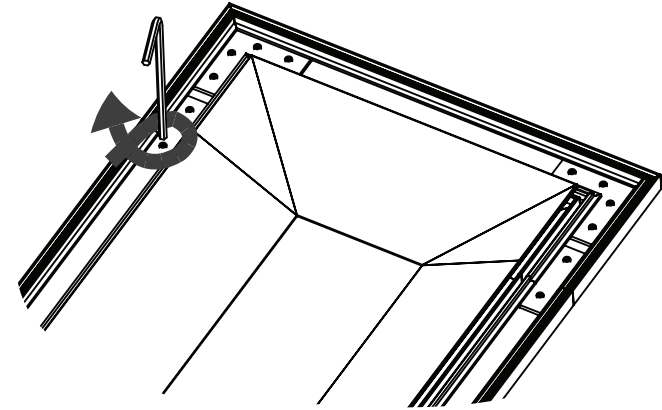


CHECK THE WALL!
VÉRIFIER LE MUR!
DIE WAND ÜBERPRÜFEN!
COMPRUEBE LA PARED!

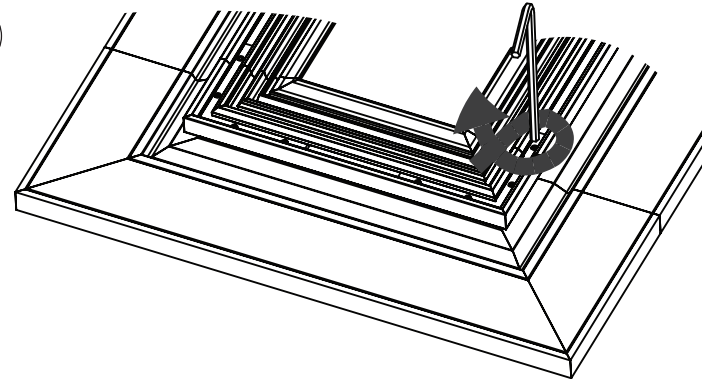
1



2

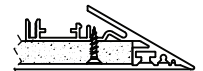


3



Compatibility

E13



E16



- Damage will be caused by incorrect input voltage or short circuit
- Ensure access and sufficient free moving air space around products and drivers
- Products and power supply gear must not be live wired
- Protect products from dust & paint during installation and use
- Shielded pair of cables will be required for dimming control signal if applicable
- Plan for loads, driver locations, dimming and suitable cable prior to installing
- For technical assistance contact your local Lumino distributor.
- Use only with class 2 power unit to UL 1310 standard
- Use only with maximum output 24VDC voltage Class 2 power unit

PART NUMBERS

E13B-040-R1 E13 Slot End Pair 80mm (3.2in)
E13B-050-R1 E13 Slot End Pair 130mm (5.1in)
E16B-040-R1 E16 Slot End Pair 80mm (3.2in)
E16B-050-R1 E16 Slot End Pair 130mm (5.1in)

IMSlot-Ends-E13,E16-R02

For further help regarding installation visit lumino.lighting