

# LUMINO

## M3-NC

### INSTALLATION MANUAL

IMNA-M3-NC\_R2301

### TECHNICAL SUPPORT

+1 305 413 5051  
www.lumino.lighting

LUMINO North America Inc  
66 W Flagler Street, STE 900  
Miami, FL 33141  
USA



Installers must read this document and any other referenced documents in full before commencing installation work.

Failure to observe all installation guidance in this document may result in unsafe installation, cause permanent product damage and void product warranty.

This document is subject to change without notice.  
Check for latest documentation with LUMINO.  
Copyright © LUMINO. E&OE

## IMPORTANT

### QUALIFIED INSTALLER & PRECAUTIONS

Installation must be carried out by a qualified person and conducted in accordance with local codes and national standards. Use appropriate PPE and tools for the installation, as well as have a sufficient number of qualified personnel to carry out the work.

### POWER OFF

Before work commences, ensure the power supply is off. Fixture and driver must not be live wired.

### FIXING SURFACES

Check that surface is appropriate for fixings or holes to be made prior to commencing work.

### DAMAGES, REPAIR AND REPLACEMENT

Inspect the product. If you see any damage upon unpacking, contact LUMINO to register a Service Call for factory a repair or replacement, do not install product.

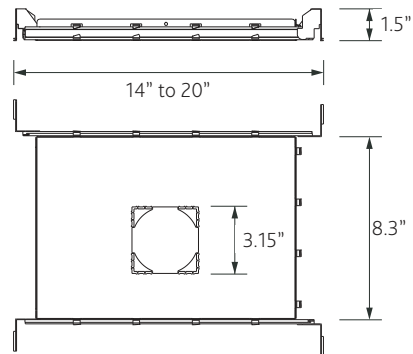
### CUTTING, SAWING, MODIFICATION

Unless specified, the product must not be sawn, drilled or otherwise modified in any way.

## INSTALLATION

### 1. Plan Installation

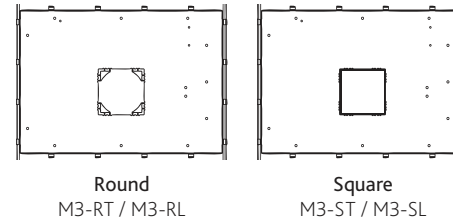
Check product and its dimensions against the planned installation.



Ensure access and removal of the LED driver/junction box is possible, this may either be from below or from above, complying with local codes and national standards.

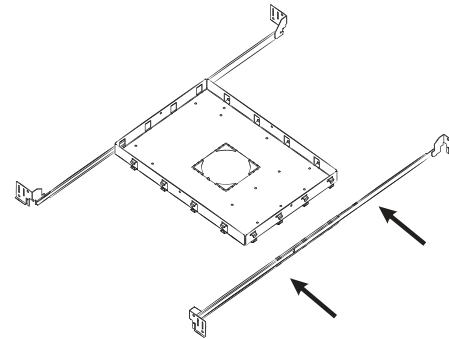
### 2. Cut-outs

Center cut-outs must match the shape of the product being installed. If the product has a square bezel, remove the four internal corners using pliers or side cutters.



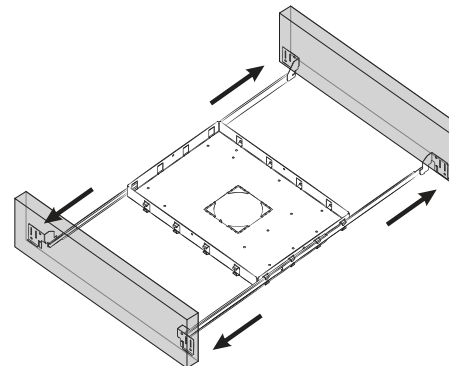
### 3. Attach Hanger Bars

Attach hanger bars to the non-IC frame. Take care when handling sheet metal parts and not force parts together if there is excessive resistance when assembling.

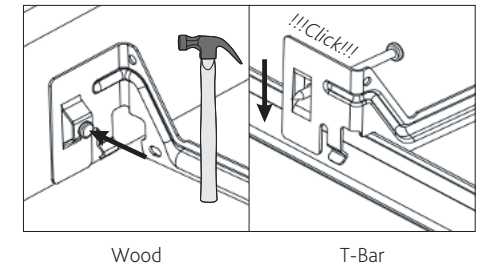


### 4. Adjust Hanger Bars

Adjust bars to match spacing of joists or T-bars.

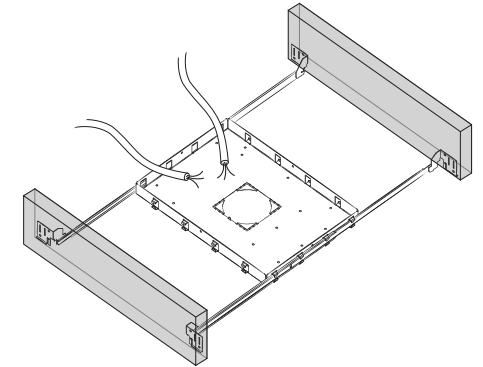


### 5. Fix to Structure



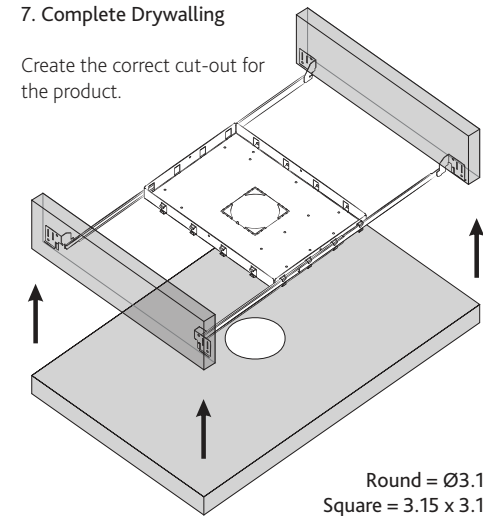
### 6. Cabling

Prepare power supply cables while easy access is present. Ensure there is enough excess cabling to allow connections to the junction/driver box.



### 7. Complete Drywalling

Create the correct cut-out for the product.



Round = Ø3.15"  
Square = 3.15 x 3.15"

For further help regarding installation visit  
[lumino.lighting](http://lumino.lighting)

# LUMINO

## M3-NC

### INSTALLATION MANUAL

IMNA-M3-NC\_R2301

### TECHNICAL SUPPORT

+1 305 413 5051  
www.lumino.lighting

LUMINO North America Inc  
66 W Flagler Street, STE 900  
Miami, FL 33141  
USA



Installers must read this document and any other referenced documents in full before commencing installation work.

Failure to observe all installation guidance in this document may result in unsafe installation, cause permanent product damage and void product warranty.

This document is subject to change without notice. Check for latest documentation with LUMINO. Copyright © LUMINO. E&OE

## IMPORTANT

### QUALIFIED INSTALLER & PRECAUTIONS

Installation must be carried out by a qualified person and conducted in accordance with local codes and national standards. Use appropriate PPE and tools for the installation, as well as have a sufficient number of qualified personnel to carry out the work.

### POWER OFF

Before work commences, ensure the power supply is off. Fixture and driver must not be live wired.

### FIXING SURFACES

Check that surface is appropriate for fixings or holes to be made prior to commencing work.

### CUTTING, SAWING, MODIFICATION

Unless specified, the product must not be sawn, drilled or otherwise modified in any way.

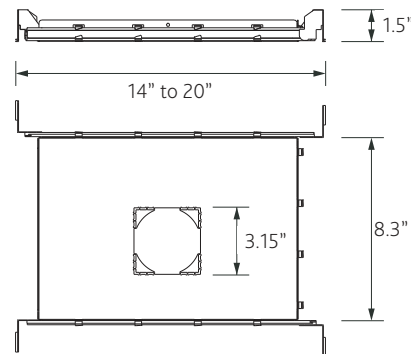
### DAMAGES, REPAIR AND REPLACEMENT

Inspect the product. If you see any damage upon unpacking, contact LUMINO to register a Service Call for factory a repair or replacement, do not install product.

## INSTALLATION

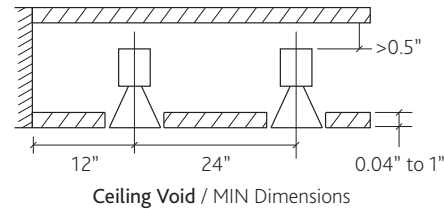
### 1. Plan Installation

Check product and its dimensions against the planned installation.



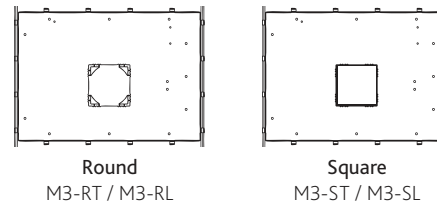
### 2. Surface Thickness & Space Requirements

It is important to allow plenty of space for the LED fixture to effectively cool itself and a surface thickness appropriate for the fixture. Void space limits **MUST** be observed.



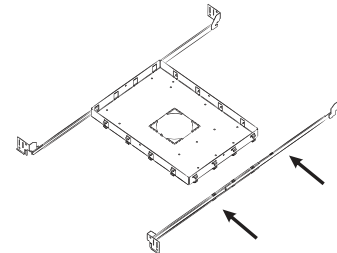
### 3. Cut-outs

Center cut-outs must match the shape of the product being installed. If the product has a square bezel, remove the four internal corners using pilers or side cutters.



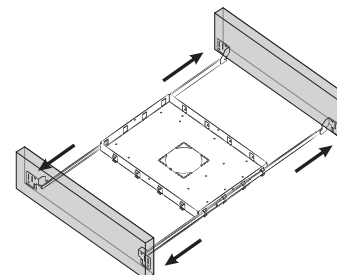
### 4. Attach Hanger Bars

Attach hanger bars to the non-IC frame. **TAKE CARE** when handling sheet metal parts and not force parts together if there is excessive resistance when assembling.

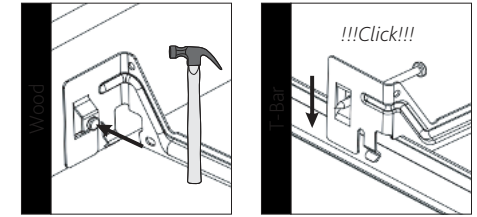


### 5. Adjust Hanger Bars

Adjust bars to match the spacing between the joists or T-bars. Then tighten adjustment screw to fix in place.

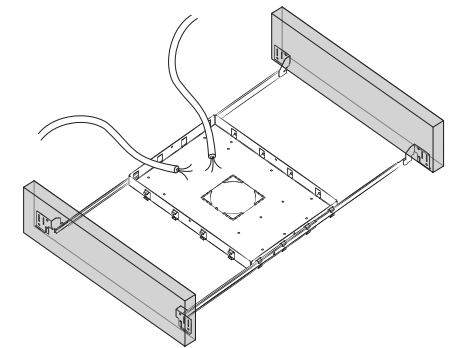


### 6. Fix to Structure



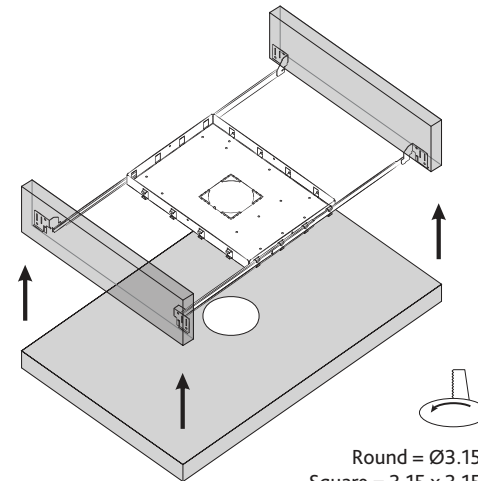
### 7. Cabling

Prepare power supply cables while easy access is present. Ensure there is enough excess cabling to allow connections to the junction/driver box.



### 9. Complete Drywalling

Create the correct cut-out for the product. Please observe MIN surface thickness (see step 2).



Round = Ø3.15"  
Square = 3.15 x 3.15"

For further help regarding installation visit  
lumino.lighting