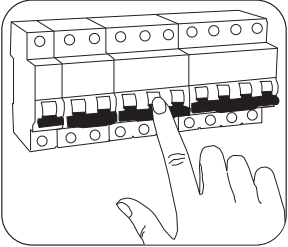
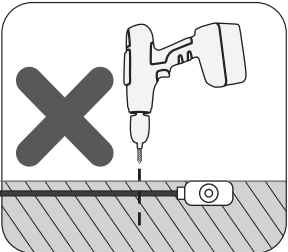


Check!

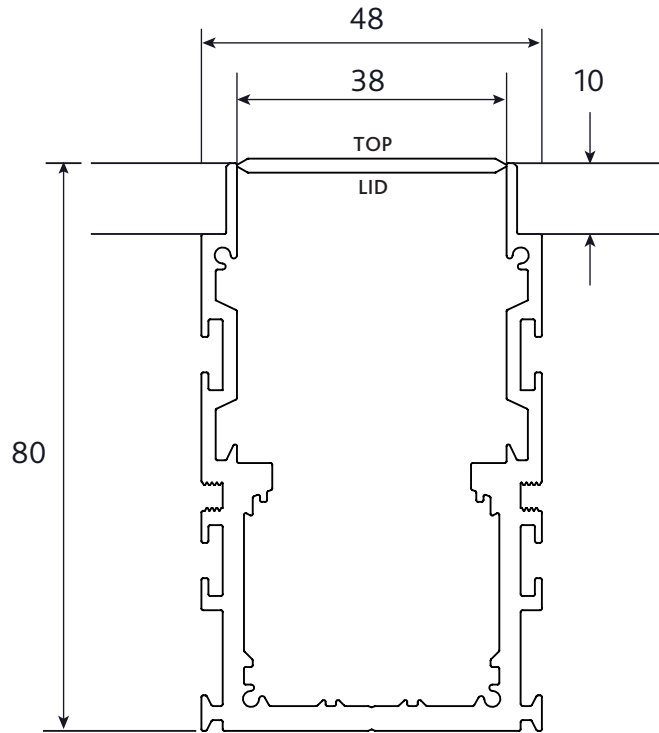


TURN OFF POWER!
COUPER LE COURANT!
STROM ABSHALTEN!
CORTE CORRIENTE!



CHECK FOR HIDDEN CABLES!
VÉRIFIER LES CÂBLES CACHÉS!
AUF VERDECKTE KABEL PRÜFEN!
COMPROBAR SI HAY CABLES OCULTOS!

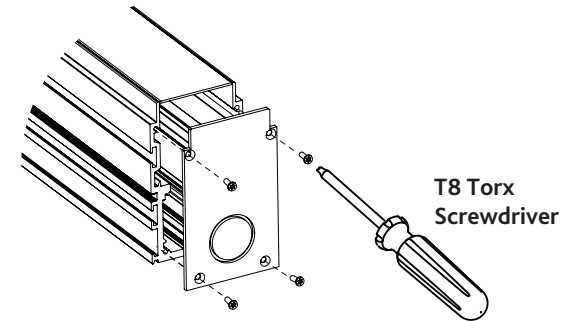
1



Do not remove lid, until after concreting the ground channel.
Failing to do so will result in narrower aperture.

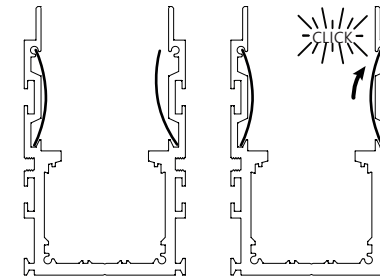
End Plates

V36G-MB202-R1
V36G End Cap Kit (Pair)



Retaining clips

V36G-MB201-R1
V36G Ground channel clips (10pcs)



- Damage will be caused by incorrect input voltage or short circuit
- Ensure access and sufficient free moving air space around drivers
- Products and power supply gear must not be live wired
- Protect products from dust & paint during installation and use
- Shielded pair of cables will be required for dimming control signal if applicable
- Plan for loads, driver locations, dimming and suitable cable prior to installing
- For technical assistance contact your local Lumino distributor.
- Use only with class 2 power unit to UL 1310 standard
- Use only with maximum output 24VDC voltage Class 2 power unit

Part Number

V36G-B2050-R1

V36G Ground Channel Mill Finish 2050mm

ACCESSORIES

VECA-CA003-R1
VECA-CA005-R1
V36G-MB201-R1
V36G-JB203-R1
V36G-MB202-R1
V36I-MA204-R1

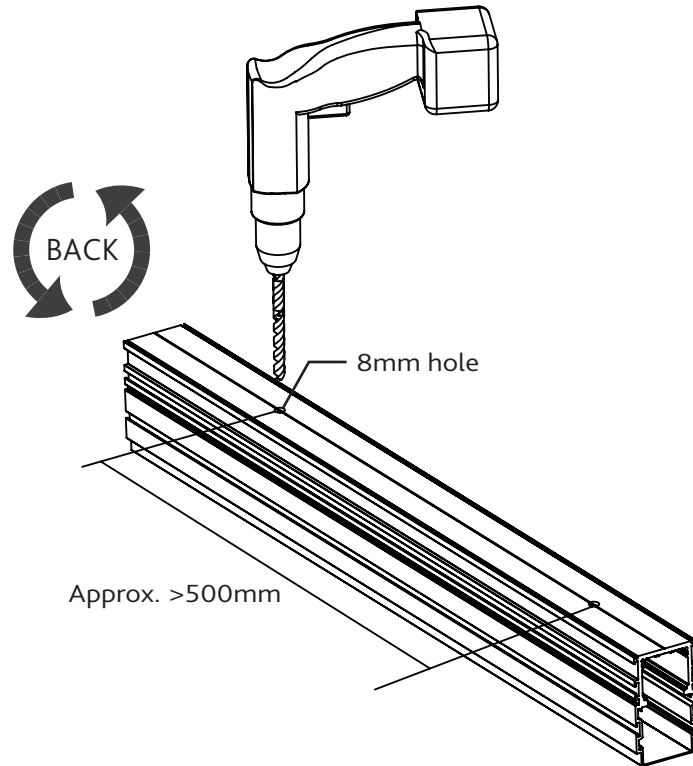
IP68 4-cable connector (CE)
IP68 2-cable connector (UL+CE)
V36G Ground channel clips (10 Pcs)
V36G Ground Channel joining kit
V36G Ground Channel caps(pair)
V36I Removal Tool



IM-V36G-R2401 PAGE 1 / 5

For further help regarding installation visit lumino.lighting

2

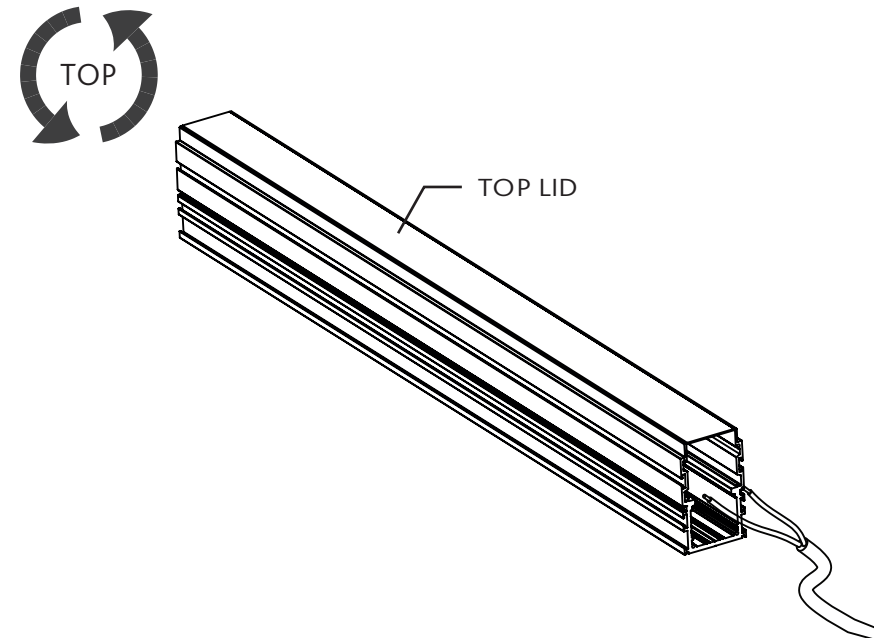


Drill drainage holes in the underside of ground-channel, at least 8mm diameter, spaced at 500mm intervals. Any fixing holes should also be drilled at this stage, spaced as required.



Do not remove lid, until after concreting the ground channel. Failing to do so will result in narrower aperture.

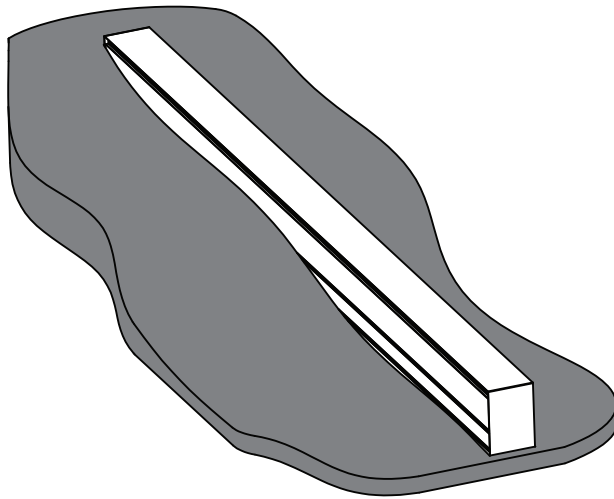
3



Place the power cable into the ground-channel taking care to protect any drilled or cut cable entry holes with a suitable grommet or protective sleeve to avoid damage to the cable.

If not using optional end plates, close the ends to prevent sand or screed from penetrating into the mounting ground-channel.

4

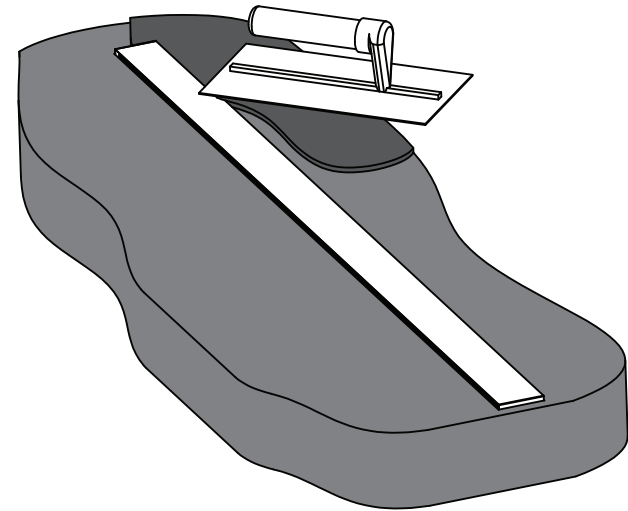


Align and position the ground-channel on the supporting base surface.

Secure the ground-channel in position with suitable fixing screws/bolts and plugs or bonding adhesive.

Area beneath ground-channel should be back-filled with suitable drainage material such as gravel to ensure channel is not continuously sitting in water.

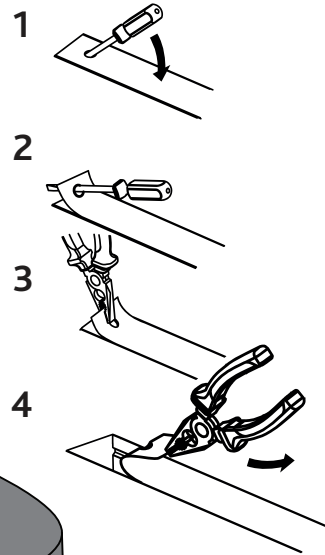
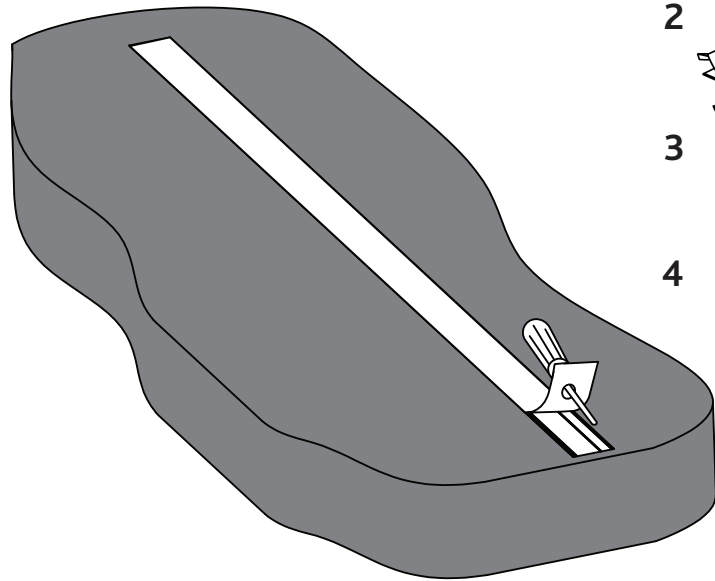
5



Execute the ground work around the ground-channel until the floor surface is level with the top edge.

Ensure material does not flow over into the ground-channel. In the case of floating floor finishes, the ground-channel must be separated from the floor by means of a flexible barrier film.

6

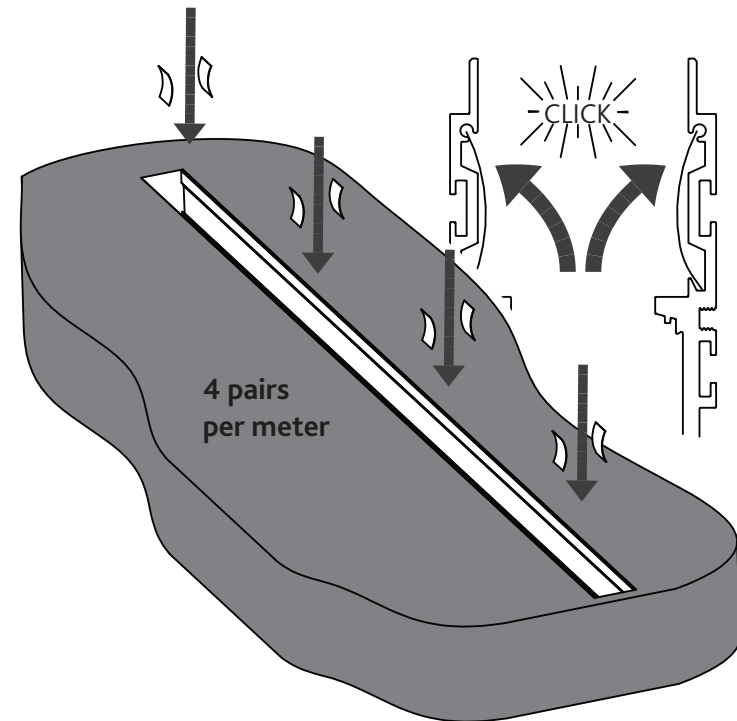


1. Drill $\text{\O}10\text{mm}$ hole.
2. lift up the lid with screw driver
3. Remove the lid with pliers.

Always ensure the top opening of the ground-channel is 38mm.

Any compression from horizontal forces may compress the opening preventing the lighting fitting from being installed.

7



Insert retaining clips into the channel 4 pairs per meter for best secure hold.

See V36I Installation Manual for full fitting instruction.

Safety instructions

Do not install onto unsuitable or unstable mounting surfaces.

The product suitable for horizontal mounting only.

The ground-channel must not be subject to bending during transport and fitting. Bending will result in damage and may prevent correct alignment of light fitting insert.

To remove water, sufficient drainage facilities should be provided when installing the ground-channel.

Do not install the ground-channel in areas prone to flooding, poor drainage, standing water or near the water table.

When the fitting is in place, the ground-channel is suitable for being regular pedestrian traffic. The static pressure load applied on the ground-channel must not exceed 5 kN/m².

The installation of the ground-channel in roads used by motor vehicles is not permitted.

The ground-channel must not be traversed with a plate vibrator.

In swimming pools, coastal areas and other corrosive environments, only a special version of V36G with a protective coating should be used. Contact Lumino for further information.

Risk of injury if the instructions are not properly observed.

These operating instruction are part of the product and must be left with the final customer.



CAUTION: Risk of galvanic corrosion. Contact of the product with less noble metals, abraded iron, external corrosion and aggressive media must be avoided.



CAUTION: Linear thermal expansion. At a temperature rise of 20°C, the ground-channel is subject to linear thermal expansion in the order of approx. 0.5mm per metre. Provide for adequately dimensioned expansion space between elements during fitting.



CAUTION: Where power cables enter the ground-channel, protect any drilled or cut edges with a suitable grommet or protective sleeve to avoid damage to the cable.



CAUTION: Do not remove V36G lid, until after concreting the ground channel failing to do so will result in narrower aperture.